

# CA IdentityMinder Integration Guide



This Documentation, which includes embedded help systems and electronically distributed materials, (hereinafter referred to as the "Documentation") is for your informational purposes only and is subject to change or withdrawal by CA at any time.

This Documentation may not be copied, transferred, reproduced, disclosed, modified or duplicated, in whole or in part, without the prior written consent of CA. This Documentation is confidential and proprietary information of CA and may not be disclosed by you or used for any purpose other than as may be permitted in (i) a separate agreement between you and CA governing your use of the CA software to which the Documentation relates; or (ii) a separate confidentiality agreement between you and CA.

Notwithstanding the foregoing, if you are a licensed user of the software product(s) addressed in the Documentation, you may print or otherwise make available a reasonable number of copies of the Documentation for internal use by you and your employees in connection with that software, provided that all CA copyright notices and legends are affixed to each reproduced copy.

The right to print or otherwise make available copies of the Documentation is limited to the period during which the applicable license for such software remains in full force and effect. Should the license terminate for any reason, it is your responsibility to certify in writing to CA that all copies and partial copies of the Documentation have been returned to CA or destroyed.

TO THE EXTENT PERMITTED BY APPLICABLE LAW, CA PROVIDES THIS DOCUMENTATION "AS IS" WITHOUT WARRANTY OF ANY KIND, INCLUDING WITHOUT LIMITATION, ANY IMPLIED WARRANTIES OF MERCHANTABILITY, FITNESS FOR A PARTICULAR PURPOSE, OR NONINFRINGEMENT. IN NO EVENT WILL CA BE LIABLE TO YOU OR ANY THIRD PARTY FOR ANY LOSS OR DAMAGE, DIRECT OR INDIRECT, FROM THE USE OF THIS DOCUMENTATION, INCLUDING WITHOUT LIMITATION, LOST PROFITS, LOST INVESTMENT, BUSINESS INTERRUPTION, GOODWILL, OR LOST DATA, EVEN IF CA IS EXPRESSLY ADVISED IN ADVANCE OF THE POSSIBILITY OF SUCH LOSS OR DAMAGE.

The use of any software product referenced in the Documentation is governed by the applicable license agreement and such license agreement is not modified in any way by the terms of this notice.

The manufacturer of this Documentation is CA.

Provided with "Restricted Rights." Use, duplication or disclosure by the United States Government is subject to the restrictions set forth in FAR Sections 12.212, 52.227-14, and 52.227-19(c)(1) - (2) and DFARS Section 252.227-7014(b)(3), as applicable, or their successors.

Copyright © 2013 CA. All rights reserved. All trademarks, trade names, service marks, and logos referenced herein belong to their respective companies.

## CA Technologies Product References

- This document references the following CA Technologies products:
- CA GovernanceMinder
- CA IdentityMinder
- CA SiteMinder®
- CA User Activity Reporting
- CA SDM
- CA IAM Connector Server

## Contact CA Technologies

### Contact CA Support

For your convenience, CA Technologies provides one site where you can access the information that you need for your Home Office, Small Business, and Enterprise CA Technologies products. At <http://ca.com/support>, you can access the following resources:

- Online and telephone contact information for technical assistance and customer services
- Information about user communities and forums
- Product and documentation downloads
- CA Support policies and guidelines
- Other helpful resources appropriate for your product

### Providing Feedback About Product Documentation

If you have comments or questions about CA Technologies product documentation, you can send a message to [techpubs@ca.com](mailto:techpubs@ca.com).

To provide feedback about CA Technologies product documentation, complete our short customer survey which is available on the CA Support website at <http://ca.com/docs>.



# Contents

---

## Chapter 1: Integration Overview 9

Integrating CA GovernanceMinder With CA IdentityMinder .....	9
Use Case: Certifying CA IdentityMinder Provisioning Role Assignments .....	11
Use Case: Maintaining Compliant CA IdentityMinder Roles .....	11

## Chapter 2: Integration Concepts 13

Import and Export .....	13
Information Mapping between CA IdentityMinder and CA GovernanceMinder .....	14
Communication between CA GovernanceMinder and CA IdentityMinder .....	16
Import Data from Multiple Endpoints .....	16
Connectivity Use Cases .....	17
CA IdentityMinder Managed Endpoints .....	17
Mixed Universe .....	18
Mixed Universe with Custom Endpoints - Example 1 .....	19
Mixed Universe with Custom Endpoints - Example 2 .....	21
Mixed Universe with Role Modeling .....	22
Workflow Approvals with Integration .....	24
Continuous Update .....	24
Continuous Update Exception Handling .....	25

## Chapter 3: Integrating with CA IdentityMinder 27

Prerequisites for CA GovernanceMinder Integration .....	27
How to Configure Integration .....	28
Import Role and Task Definitions for Integration .....	30
Create a Universe in CA GovernanceMinder .....	30
How to Define an Import Connector to CA IdentityMinder .....	31
Define a Connector to CA IdentityMinder .....	32
Define Endpoint Mappings .....	34
Define a Custom Configuration for the Endpoint .....	35
Associations Overview .....	37
Enrichment .....	38
Hide the Custom Configuration Option in the Connector Wizard .....	39
Map Person ID to Ensure Unique User IDs .....	40
Import CA IdentityMinder Data to CA GovernanceMinder .....	40
Verify the Connection to CA IdentityMinder .....	41
Manually Configure a Connection to CA GovernanceMinder .....	41

---

Edit Continuous Update Settings .....	43
---------------------------------------	----

## **Chapter 4: Exporting Data to CA IdentityMinder** **45**

Export to CA IdentityMinder .....	45
Continuous Export.....	46
CA IdentityMinder Model Fix .....	46
Model Compatibility.....	47
Change the CA GovernanceMinder Export Administrator .....	47

## **Chapter 5: Smart Provisioning** **49**

Smart Provisioning Overview .....	49
Data Cleanup .....	50
Business Policy Rules (BPRs) .....	50
Edit Global Smart Provisioning Settings .....	50
Suggested Provisioning Roles.....	53
Criteria for Suggested Roles .....	54
View Suggested Roles .....	56
Provisioning Role Scores .....	57
Add Suggested Roles to Users During a Bulk Loader Task .....	57
Define Task-Level Settings for Suggested Roles.....	60
Compliance Violations.....	61
Example: Compliance Violations.....	62
Types of Violations .....	63
Compliance Violation History.....	63
How to Configure Manual Validation.....	64
How to Configure Automatic Validation .....	64
Define Task-Level Settings for Compliance Violations .....	64
Smart Provisioning for the Bulk Loader Task.....	65

## **Chapter 6: Best Practices for Integration** **67**

Import Primary Connector When Importing a New Endpoint .....	67
Role Owner vs. Role Approver .....	68
Define the %MANAGER% Well-Known .....	68
Avoid Changing Attribute Mappings After Import .....	69
Provisioning Role and User Management .....	69
Compliance Best Practices .....	69
FIPS Compliance .....	70

---

## Chapter 7: Troubleshooting

71

Smart Provisioning .....71

Continuous Update .....72



# Chapter 1: Integration Overview

---

This section contains the following topics:

[Integrating CA GovernanceMinder With CA IdentityMinder](#) (see page 9)

[Use Case: Certifying CA IdentityMinder Provisioning Role Assignments](#) (see page 11)

[Use Case: Maintaining Compliant CA IdentityMinder Roles](#) (see page 11)

## Integrating CA GovernanceMinder With CA IdentityMinder

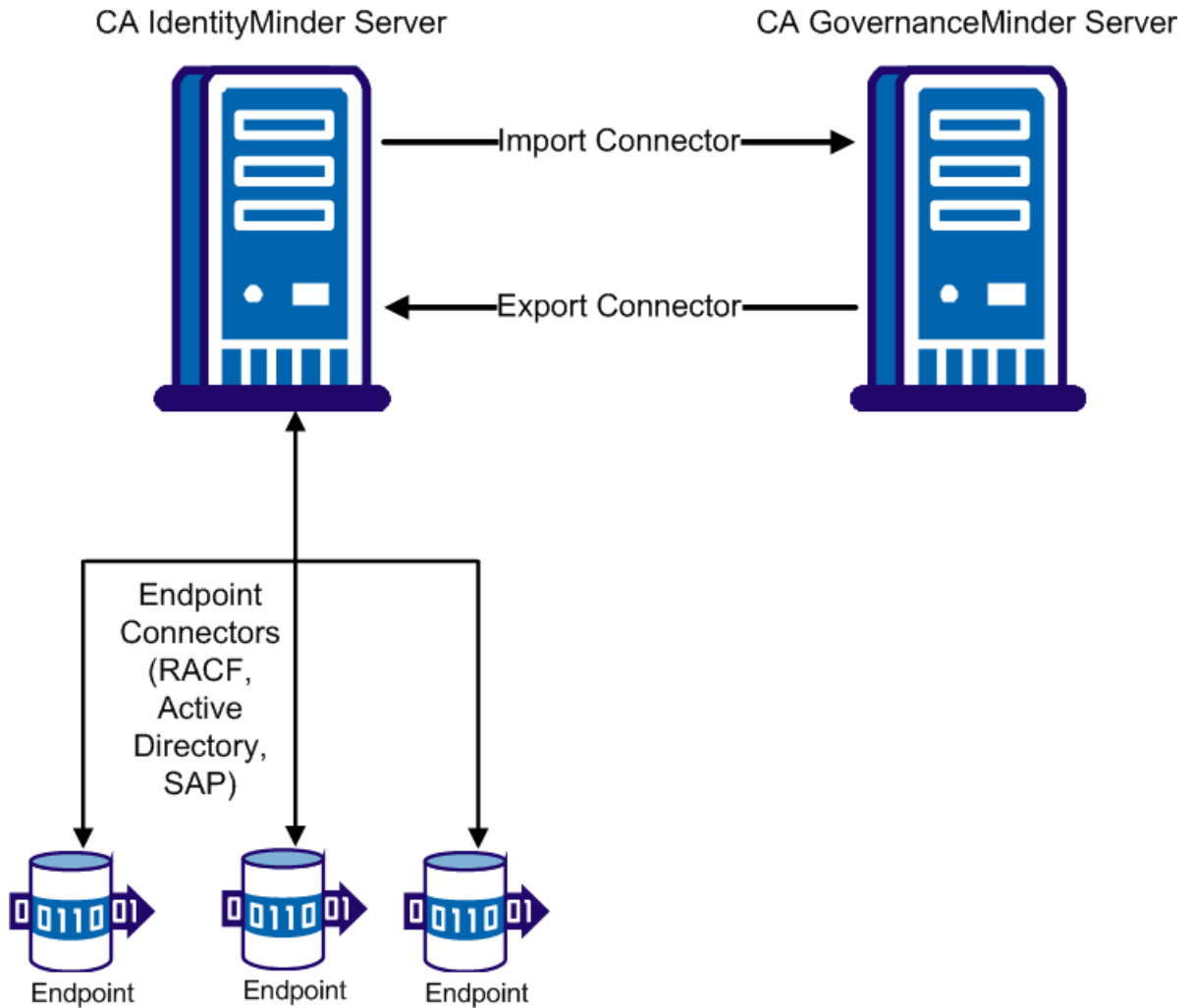
CA IdentityMinder is an identity lifecycle management product that enables you to manage user identities and govern what they can access based on their role.

CA Role & Compliance Manager (CA GovernanceMinder) is an identity lifecycle management product that enables you to develop, maintain, and analyze role models. CA GovernanceMinder also provides centralized identity compliance policy controls and automates processes associated with meeting compliance demands.

When you integrate CA IdentityMinder and CA GovernanceMinder, you can do the following:

- Validate that Identity Manager user privileges are granted in accordance with business compliance policies
- Get suggested roles and compliance checking when creating or modifying Identity Manager users, roles, and accounts
- Understand what roles exist in your organization, establish a role model that fits your organization, and re-create the desired role model within CA IdentityMinder
- Analyze and maintain the role model as the business evolves

The following graphic details the architecture when you integrate CA GovernanceMinder and CA IdentityMinder:



## Use Case: Certifying CA IdentityMinder Provisioning Role Assignments

As an Administrator, you want to allow managers to review and certify the provisioning roles of CA IdentityMinder users they manage.

Perform the following process to allow managers to perform user certifications.

1. Integrate CA GovernanceMinder with CA IdentityMinder.
2. Import data from CA IdentityMinder to CA GovernanceMinder.

This procedure updates the Master and the Model configuration in CA GovernanceMinder.

3. Kick off a user certification to review and approve user provisioning role assignments (and direct permissions).

This certification updates the CA GovernanceMinder Model configuration.

4. Once the certification is completed, export the differences generated by the certification. The changes are applied to CA IdentityMinder directly.

CA IdentityMinder records these changes in the task persistence database, where they can be viewed in the View Submitted Tasks task.

After completing this process, role assignment data between CA GovernanceMinder and CA IdentityMinder is synchronized and approved by CA IdentityMinder user managers.

## Use Case: Maintaining Compliant CA IdentityMinder Roles

As an Administrator, you want to be sure that when a new employee is added to CA IdentityMinder, they automatically get privileges that are appropriate to their function within the company, and compliant with business policies.

Integrating with CA GovernanceMinder and enabling Smart Provisioning in an CA IdentityMinder environment provides suggested roles and compliance checking when you create or modify users, roles, and accounts in CA IdentityMinder.

For example, a new employee starts in the finance department at your company. When you create the new user in CA IdentityMinder, you specify that this person is part of the finance department. When you submit the Create User task in CA IdentityMinder, CA GovernanceMinder returns a list of the following suggested roles for the new user:

- FinanceApplicationUser—This role allows access to the financial application.
- FinanceDept—This role gives general privileges to the new user that match other finance employees, such as an email account.

In addition, CA GovernanceMinder verifies that the existing privileges (if any) of the new user do not violate any business policy rules (BPRs).

Perform the following process to be sure that any new user added to CA IdentityMinder gains the appropriate privileges that are compliant with company policy.

1. Integrate CA IdentityMinder and CA GovernanceMinder.
2. Import CA IdentityMinder user, role, and account data to CA GovernanceMinder.

This procedure creates the Master and the Model configuration in CA GovernanceMinder.

3. Clean up the imported data in CA GovernanceMinder.

This procedure removes suspect entities and suspect relationships between entities and updates the Model configuration.

4. Create Business Policy Rules (BPRs) in CA GovernanceMinder that reflect business restrictions and limitations regarding user privileges.
5. Run the BPRs created in Step 4 against the Model configuration.
6. Export any changes made to the Model configuration during Step 5 back to CA IdentityMinder.

This step updates the Master also.

After completing this process, CA GovernanceMinder suggests roles and performs compliance checks against business policy restrictions and limitations when you create and modify users, roles, or accounts in CA IdentityMinder. Any day-to-day changes made in CA IdentityMinder that affect users, roles, or accounts are updated in CA GovernanceMinder using Continuous Update.

# Chapter 2: Integration Concepts

---

This section contains the following topics:

[Import and Export](#) (see page 13)

[Information Mapping between CA IdentityMinder and CA GovernanceMinder](#) (see page 14)

[Communication between CA GovernanceMinder and CA IdentityMinder](#) (see page 16)

[Import Data from Multiple Endpoints](#) (see page 16)

[Connectivity Use Cases](#) (see page 17)

[Workflow Approvals with Integration](#) (see page 24)

[Continuous Update](#) (see page 24)

## Import and Export

To introduce CA IdentityMinder data to CA GovernanceMinder, you perform an import. The import process updates both the master and model configurations as follows:

1. The product creates a local copy of all the CA IdentityMinder data.
2. The product compares the local copy with the master configuration. This results in a list of all changes since the last time the import ran.
3. The master configuration is updated with all the changes, and the master configuration now reflects everything in CA IdentityMinder.
4. All changes are made in the model configuration, one by one. If the model configuration was the same as the master configuration, it will also be the same after the import. However, if there were changes made in the model, they are not overwritten by the import.

A CA GovernanceMinder universe is coupled with a CA IdentityMinder Environment, and you import corporate users as the CA GovernanceMinder users. CA IdentityMinder endpoint objects are imported as CA GovernanceMinder resources.

**Important!** Only one universe can be associated with a CA IdentityMinder environment. If you must manage a different CA IdentityMinder environment, create a new universe. If you delete a universe and create a new one, you must do a fresh import for the integration to work with the new universe.

You can customize the following data that you want to import:

- What types of endpoint objects to import. If you only want a subset of a particular object type, you can also apply filters to the data that is imported.
- What attributes are mapped to what CA GovernanceMinder fields.

To push updated CA GovernanceMinder data to CA IdentityMinder, you perform an export. The export process takes the differences between the Master and Model configurations, creates a DIFF file and sends those changes to CA IdentityMinder. When CA IdentityMinder completes each change defined in the export task, it sends a notification back to CA GovernanceMinder. At that time, CA GovernanceMinder updates the Master to reflect what is in the Model and Continuous Update keeps CA IdentityMinder and the CA GovernanceMinder Master configuration synchronized.

An export from CA GovernanceMinder now updates data in the CA IdentityMinder object store, and *not only* the Provisioning Server. This allows you to take advantage of the following CA IdentityMinder features:

- CA IdentityMinder task model
- CA IdentityMinder transaction logging
- CA IdentityMinder policy triggers

## Information Mapping between CA IdentityMinder and CA GovernanceMinder

When CA IdentityMinder and CA GovernanceMinder integrate, the following information is synchronized between the two systems:

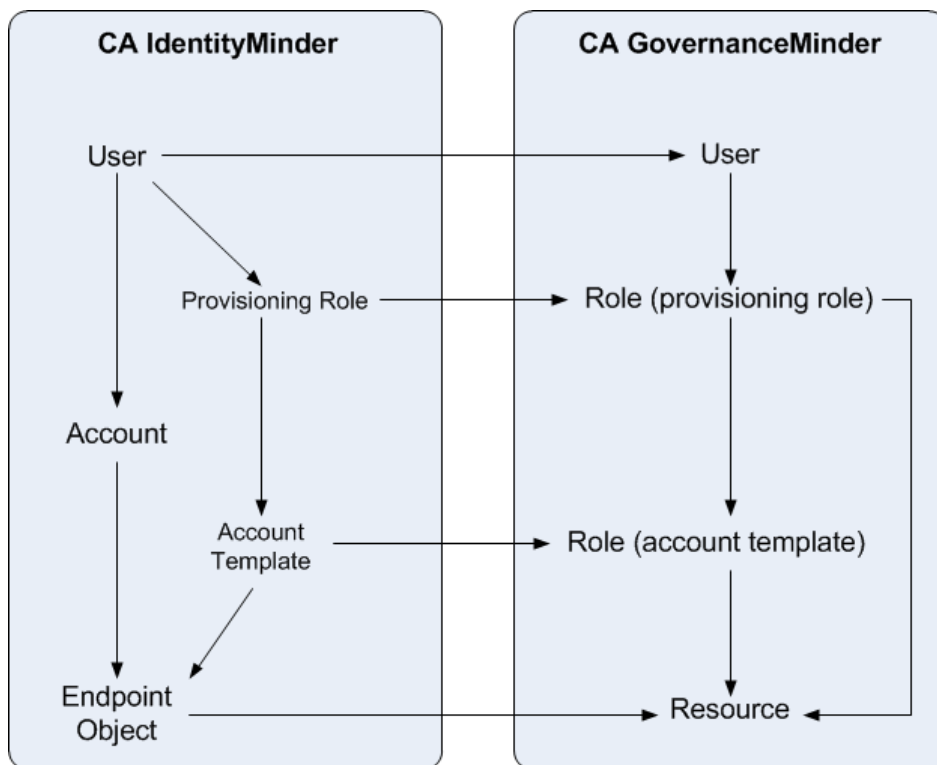
- User information
- Role information
- Account information
- Endpoint object information

The following table describes how information in one system maps to information in the other system.

CA GovernanceMinder Object	CA IdentityMinder Object
User	User
Role	Provisioning Role or Account Template
Resource	Endpoint object that represents a privilege or role a user can have, for example: <ul style="list-style-type: none"><li>■ Active Directory group</li><li>■ SAP profile</li><li>■ Oracle table privilege</li></ul>
User-Role link	User membership in a provisioning role
Role-Role link	Provisioning Roles or Account Templates

CA GovernanceMinder Object	CA IdentityMinder Object
Role-Resource link	The relationship between a role and an account template that grants privileges on a specific endpoint.
User-Resource link	The relationship between a user and an endpoint object defined by an account.

The following graphic illustrates the information mapping between the two systems visually:



## Communication between CA GovernanceMinder and CA IdentityMinder

Once you configure integration between CA IdentityMinder and CA GovernanceMinder, the two systems communicate using the following:

- [CA GovernanceMinder Connector for CA IdentityMinder](#) (see page 32)

A special type of connector that automatically synchronizes the privilege data between CA IdentityMinder and CA GovernanceMinder. By using this connector, you can import data from CA IdentityMinder to CA GovernanceMinder or export data from CA GovernanceMinder to CA IdentityMinder.

**Note:** For more information about connectors, see the *CA GovernanceMinder Configuration Guide*.

- [Continuous Update](#) (see page 24)

This feature allows you to leverage CA GovernanceMinder capabilities to support day-to-day identity management operations. Any changes made in CA IdentityMinder are updated immediately in CA GovernanceMinder.

- (Optional) [Continuous Export](#) (see page 46)

This feature allows you to send any changes made in CA GovernanceMinder to CA IdentityMinder immediately, instead of doing a full export operation after numerous changes are made to a role model.

**Note:** All of these communication features update the CA GovernanceMinder Master configuration.

## Import Data from Multiple Endpoints

A CA GovernanceMinder universe can contain any mix of the following types of endpoints.

- Managed Endpoints: Endpoints are managed by CA IdentityMinder and connected to the product.
- Discovered Endpoints: Endpoints are connected to the product using the CA IAM Connector Server.
- Unmanaged Endpoints: Endpoints whose information is imported into the product by 3rd-party utilities, such as scripts, PDI transformations, and so on.

Importing information into a CA GovernanceMinder universe from any mix of two or more types of endpoints is referred to as mixed mode. A mixed universe can only support the shallow use case.

**Note:** To create a working mixed universe, all import sources must comply with common standards. For more information about how to build a CA GovernanceMinder configuration for mixed mode, see the *CA GovernanceMinder Programming Guide*.

## Connectivity Use Cases

Consider the following connectivity use cases when integrating with CA IdentityMinder:

[CA IdentityMinder Managed Endpoints](#) (see page 17)

[Mixed Universe](#) (see page 18)

[Mixed Universe with Custom Endpoints - Example 1](#) (see page 19)

[Mixed Universe with Custom Endpoints - Example 2](#) (see page 21)

[Mixed Universe with Role Modeling](#) (see page 22)

## CA IdentityMinder Managed Endpoints

### Goal

You have an existing CA IdentityMinder 12.5 SP8 (or later) deployment with a significant number of endpoints managed through the IAM Connector Server. You want to implement CA GovernanceMinder to perform certification on the privileges across the organization and use your existing IAM Connector Server connectors.

### Environment Description

You have an Active Directory server, two UNIX servers, three Oracle databases, and a RACF managed Mainframe. You have an existing CA IdentityMinder deployment where all seven endpoints are defined and managed.

### Process

1. Install CA GovernanceMinder, *without* including the IAM Connector Server.
2. In an CA GovernanceMinder universe, define a connector to CA IdentityMinder, as follows:
  - a. Define CA IdentityMinder connectivity.
  - b. Select all endpoints or use the 'all' wildcard.

3. Run an import.

All endpoint data is imported into CA GovernanceMinder. The selected endpoint permissions are modeled as resources, while provisioning roles and account templates are modeled as roles.

**Note the following:**

- Export to the endpoints is fully supported in this scenario.
- CA GovernanceMinder correlation is not used, as CA IdentityMinder provides the associations between users and accounts.

## Mixed Universe

### Goal

You have a newly installed CA IdentityMinder 12.5 SP8 (or later) deployment with only a limited number of endpoints managed through CA IdentityMinder. You want to implement CA GovernanceMinder to perform certification on the privileges across the organization and use your new CA IAM Connector Server connectors.

### Environment Description

You have an Active Directory server, two UNIX servers, three Oracle databases, and a RACF managed Mainframe. You have a newly installed CA IdentityMinder system, in which only one UNIX server and two Oracle databases are defined and managed. Now, you want to perform certifications on the privileges across the organization.

### Process

1. Install CA GovernanceMinder.
2. Go to Administration, Connector Server Management and create the Active Directory endpoint, the RACF endpoint, and the unmanaged UNIX and Oracle endpoints.  
**Note:** When defining the RACF connector, you are using the CA GovernanceMinder-specific RACF connector and not the one included with CA IdentityMinder.
3. In the universe, under the Connectivity tab, define a connector to CA IdentityMinder. Within it, select the managed UNIX and Oracle endpoints. Select the CA IdentityMinder Connector as the primary (As Users) connector.

4. Define connectors for the unmanaged endpoints (the ones you created in Step 2) by selecting the CA IAM Connector Server and, in each connector, select the correct endpoint.
5. Run a multi-import job by selecting all the connectors.

All unmanaged endpoint data is imported through the CA IAM Connector Server. All managed endpoint data is imported using the CA IdentityMinder connectors. The selected endpoint permissions are modeled as resources and the provisioning roles and account templates are mapped to roles.

**Note the following:**

- Export is supported in this scenario only for the endpoints managed by CA IdentityMinder. The other endpoints must be provisioned manually.
- CA GovernanceMinder correlation is invoked on unmanaged endpoint accounts. The CA IdentityMinder users appear as CA GovernanceMinder users, whereas all endpoint users appear as CA GovernanceMinder accounts.

## Mixed Universe with Custom Endpoints - Example 1

### Goal

You have a newly installed CA IdentityMinder 12.5 SP8 (or later) deployment with only a limited number of endpoints managed through the CA IAM Connector Server. You also have a number of custom or third-party systems that support an LDAP or JDBC connection. You want to implement CA GovernanceMinder to perform certification on the privileges across the organization and use your new CA IAM Connector Server connectors.

### Environment Description

You have an Active Directory server, two UNIX servers, three Oracle databases, and two custom systems that use an LDAP or SQL interface. You have a newly installed CA IdentityMinder deployment, in which only one UNIX server and two Oracle databases are already defined and managed. It is assumed that the implementation team has developed dynamic connectors for the custom or third-party systems, using Connector Xpress.

**Note:** When developing the dynamic connector using Connector Xpress, each attribute has a new flag named Interesting for Compliance. The attributes with this flag represent privileges that must be certified in CA GovernanceMinder. For more information, see the Extended Metadata Properties section of the *Connector Xpress Guide*.

### Process

1. Install CA GovernanceMinder.
2. After the new dynamic connector is ready, use Connector Xpress to push its definition to the CA IAM Connector Server installed with CA GovernanceMinder.
3. In the CA GovernanceMinder Portal, go to Administration, Connector Server Management.
4. Define the Active Directory server and the unmanaged UNIX and Oracle endpoints in the CA IAM Connector Server.
5. In the universe, go to the Connectivity tab.
6. Define a connector to CA IdentityMinder. Select the managed UNIX and Oracle endpoints and set this connector as the primary (As Users) connector.
7. Define connectors for the unmanaged endpoints, including the dynamic connector, by choosing the CA IAM Connector Server and, in each connector, choosing the correct endpoint.
8. Run all the import connectors at once through a multi-import job.

All unmanaged endpoint data, including the dynamic connector data, is imported through the CA IAM Connector Server connectors. All managed endpoint data is imported through the CA IdentityMinder connectors. The selected endpoint permissions are modeled as resources and the provisioning roles and account templates are mapped to roles.

### Note the following:

- Export is supported in this scenario only for the endpoints managed by CA IdentityMinder. The other endpoints must be provisioned manually.
- CA GovernanceMinder correlation is invoked on unmanaged endpoint accounts. The CA IdentityMinder users appear as CA GovernanceMinder users, whereas all endpoint users appear as CA GovernanceMinder accounts.

## Mixed Universe with Custom Endpoints - Example 2

### Goal

You have a newly installed CA IdentityMinder 12.5 SP8 (or later) deployment with only a limited number of endpoints managed through the CA IAM Connector Server. You also have a number of custom or third-party systems that are accessed through Pentaho Data Integration (PDI). You want to implement CA GovernanceMinder to perform certification on the privileges across the organization and use your new CA IAM Connector Server connectors.

### Environment Description

You have an Active Directory server, two UNIX servers, three Oracle databases, and two custom systems that expose proprietary interfaces (not LDAP or SQL). You have a newly installed CA IdentityMinder deployment, in which only one UNIX server and two Oracle databases are already defined and managed. It is assumed that the implementation team has developed PDI transformations for the custom applications using Pentaho Kettle.

### Process

1. Install CA GovernanceMinder.
2. In the CA GovernanceMinder Portal, go to Administration, Connector Server Management.
3. Define the Active Directory server and the unmanaged UNIX and Oracle endpoints in the CA IAM Connector Server.
4. In the universe, go to the Connectivity tab.
5. Define a connector to CA IdentityMinder. Select the managed UNIX and Oracle endpoints and set this connector as the primary (As Users) connector.
6. Define connectors for the unmanaged endpoints, including the dynamic connector, by choosing the CA IAM Connector Server and, in each connector, choosing the correct endpoint.

7. Define two connectors for the custom systems by selecting the PDI connector. Fill in the appropriate parameters for this connector.

8. Run all the import connectors at once through a multi-import job.

All unmanaged endpoint data, including the dynamic connector data, is imported through the CA IAM Connector Server connectors. All managed endpoint data is imported through the CA IdentityMinder connectors. All custom system data is imported by executing the provided solution.

The selected endpoint permissions are modeled as resources and the provisioning roles and account templates are mapped to roles.

**Note the following:**

- Export is supported in this scenario only for the endpoints managed by CA IdentityMinder. The other endpoints must be provisioned manually.
- CA GovernanceMinder correlation is invoked on unmanaged endpoint accounts. The CA IdentityMinder users appear as CA GovernanceMinder users, whereas all endpoint users appear as CA GovernanceMinder accounts.

## Mixed Universe with Role Modeling

### Goal

You have an existing CA IdentityMinder 12.5 SP8 (or later) deployment with a significant number of endpoints managed through the CA IAM Connector Server. You want to implement CA GovernanceMinder to perform certification on the privileges across the organization using the CA IAM Connector Server connectors, and also perform privilege cleanup and role modeling.

### Environment Description

You have an Active Directory server, two UNIX servers, three Oracle databases, and a RACF managed Mainframe. You have an existing CA IdentityMinder deployment where all seven endpoints are defined and managed.

**Note:** This scenario is unique, as CA GovernanceMinder interfaces with RACF in two different ways, using two different connectors. When retrieving CA IdentityMinder data, the native CA IdentityMinder RACF connector is used, but when working with CA GovernanceMinder, the CA GovernanceMinder-specific CA IAM Connector Server connector is used.

### Process

1. Install CA GovernanceMinder.
2. In CA GovernanceMinder, create two universes, for example, "Org" and "RACF".

3. In the universe "Org", perform the following steps:
  - a. Go to the Connectivity tab and define a connector to CA IdentityMinder.
  - b. After providing CA IdentityMinder connection details, select all endpoints or use the "all" wildcard.
  - c. Run the import.

All data is imported through CA IdentityMinder connectors. The selected endpoint permissions are modeled as resources, and provisioning roles and account templates are modeled as roles.
4. For the universe "RACF", perform the following steps:
  - a. In the CA GovernanceMinder portal, go to Administration, Connector Server Management.
  - b. Define the Top Secret endpoint in the CA IAM Connector Server. In this scenario, you are using the CA GovernanceMinder-specific Top Secret connector and not the one included with CA IdentityMinder.
  - c. In the universe, go to the Connectivity tab.
  - d. Define a connector. Select the CA GovernanceMinder CA IAM Connector Server and specify the Top Secret endpoint. Within it, map Top Secret groups to CA GovernanceMinder roles and map data sources as CA GovernanceMinder resources.
  - e. Run the import.

All data is imported through the CA IAM Connector Server connector that is specific for CA GovernanceMinder. The resources and roles appear as mapped.

**Note the following:**

- Export is fully supported in the "Org" universe. Export is not supported in the "RACF" universe, as there is no support by the connector.
- CA GovernanceMinder correlation is not invoked. In the "Org" universe, CA IdentityMinder is relied on to provide the associations between users and accounts, whereas in the "RACF" universe, correlation is not relevant because it contains only one source.

## Workflow Approvals with Integration

When integrating with CA GovernanceMinder, CA IdentityMinder workflow approvals are disabled for all export tasks generated by CA GovernanceMinder. All approvals for exported changes to CA IdentityMinder must be handled in CA GovernanceMinder.

For example, if you run a User Certification, approvals are done as part of the certification. When you export all the changes to those users back to CA IdentityMinder, no workflow processes are initiated for the CA IdentityMinder tasks generated by that export.

Workflow behavior is unchanged for native CA IdentityMinder tasks within the system.

If you have workflow processes in CA IdentityMinder that you want to enforce when doing approvals in CA GovernanceMinder, you must recreate those workflow processes in CA GovernanceMinder.

**Note:** CA IdentityMinder tasks generated by an CA GovernanceMinder export contain 'IMRCM' in the task name.

## Continuous Update

To support integration, certain changes made in CA IdentityMinder are queued up and passed to CA GovernanceMinder. This feature allows CA GovernanceMinder to make provisioning role suggestions and validate changes against compliance policies, based on current CA IdentityMinder information, instead of waiting for another import from CA IdentityMinder to update the CA GovernanceMinder data.

When a user, role, or account change occurs, CA IdentityMinder generates a notification and adds it to a queue. At specified intervals, CA IdentityMinder creates an aggregate notification with all the information in the queue (up to the maximum batch size) and sends it to CA GovernanceMinder.

CA IdentityMinder continuously updates CA GovernanceMinder when the following events occur:

- Creating, modifying, or deleting a user
- Creating, modifying, or deleting provisioning roles
- Adding an account template to a provisioning role
- Creating, modifying, or deleting an account
- Creating, modifying, or deleting an account template
- Assigning an account to a resource or removing an account from a resource

- Assigning an account template to a resource or removing an account template from a resource
- Adding a provisioning role to a provisioning role (nested roles) or removing a provisioning role from a provisioning role

Continuous updates occur automatically when an active connection to CA GovernanceMinder exists in an CA IdentityMinder Environment.

## Continuous Update Exception Handling

If issues occur between CA IdentityMinder and CA GovernanceMinder while they are integrated, CA IdentityMinder processes the notification queue accordingly so that the queue does not become too large. The following table lists the possible exceptions and how CA IdentityMinder handles the notification queue in each scenario.

Exception Source	CA IdentityMinder Action
Network issues such as the following: <ul style="list-style-type: none"> <li>■ network down</li> <li>■ server down</li> <li>■ invalid port</li> <li>■ invalid credentials</li> </ul>	CA IdentityMinder returns all notifications back to the queue. CA IdentityMinder tests the connection to CA GovernanceMinder during the next cycle and resends the batch if the network connection is back up.
CA GovernanceMinder universe deleted	CA IdentityMinder deletes the CA GovernanceMinder connection object for the environment and stop queuing notifications.
CA IdentityMinder environment deleted	CA IdentityMinder flushes the queue of all notifications for the environment.
CA GovernanceMinder can not queue notifications, for example, if the JMS queue is down.	CA IdentityMinder retries to send the batch of notifications on the next cycle, as many times as the specified retry limit. When CA IdentityMinder reaches the retry limit, the entire batch of notifications are deleted from the queue.
CA GovernanceMinder internal server exception, for example, out of memory.	CA IdentityMinder returns all notifications back to the queue. During the next cycle, CA IdentityMinder retries to send the batch. If an exception occurs again, CA IdentityMinder removes the entire batch from the queue.



# Chapter 3: Integrating with CA IdentityMinder

---

This section contains the following topics:

[Prerequisites for CA GovernanceMinder Integration](#) (see page 27)

[How to Configure Integration](#) (see page 28)

[Import Role and Task Definitions for Integration](#) (see page 30)

[Create a Universe in CA GovernanceMinder](#) (see page 30)

[How to Define an Import Connector to CA IdentityMinder](#) (see page 31)

[Define a Connector to CA IdentityMinder](#) (see page 32)

[Import CA IdentityMinder Data to CA GovernanceMinder](#) (see page 40)

[Verify the Connection to CA IdentityMinder](#) (see page 41)

[Edit Continuous Update Settings](#) (see page 43)

## Prerequisites for CA GovernanceMinder Integration

To integrate CA IdentityMinder and CA GovernanceMinder, verify that the following prerequisites are met:

- CA GovernanceMinder and CA IdentityMinder must be installed on systems that can communicate with each other

**Note:** For more information, see the *CA GovernanceMinder Installation Guide* and the *CA IdentityMinder Installation Guide*.

- If you want to secure the connection between CA IdentityMinder and CA GovernanceMinder, configure both systems to support SSL.
- Be sure that you have imported all role definitions files for every endpoint type you have in CA IdentityMinder.

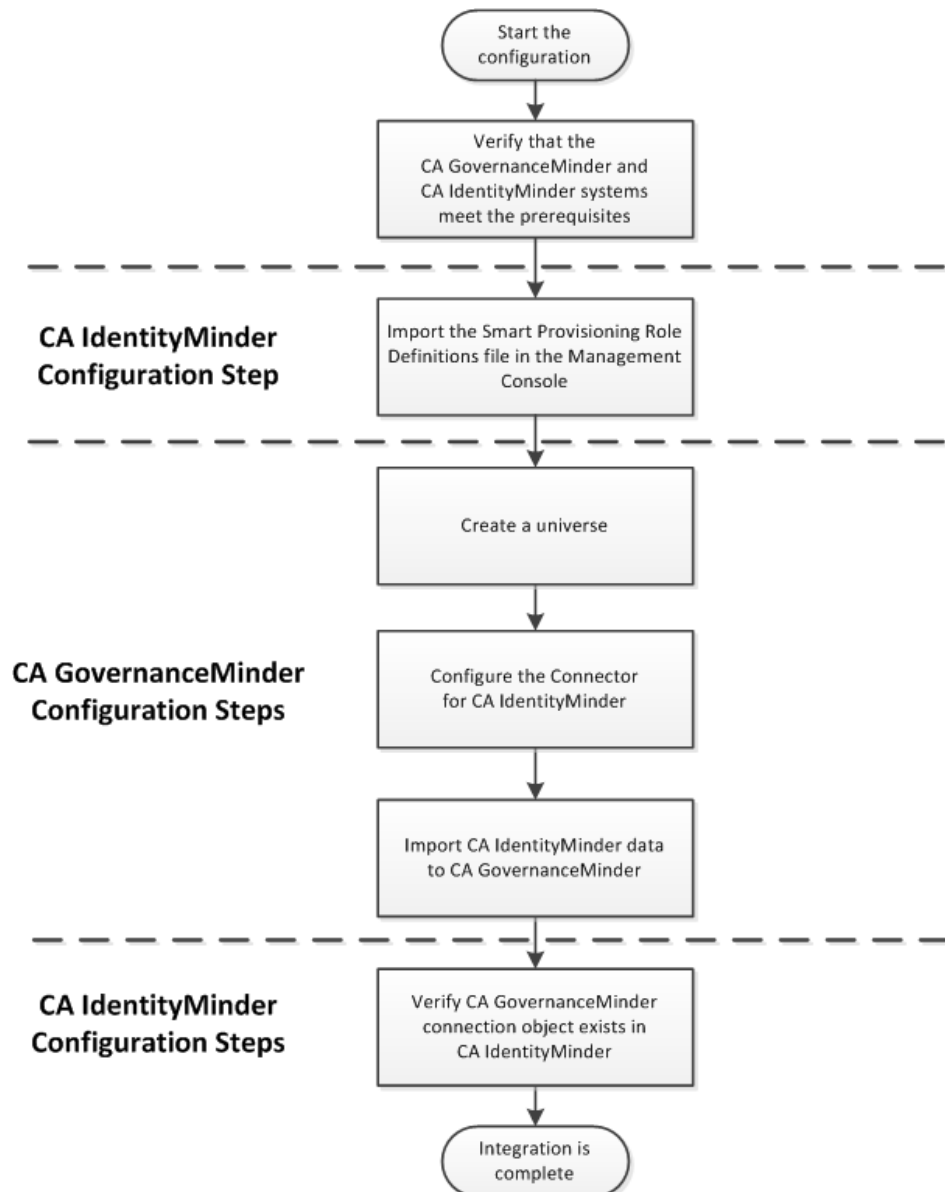
- Be sure that all provisioning roles are managed by CA IdentityMinder (and *not* the Provisioning Manager).
- If you are using Microsoft SQL as the Identity Manager user store, do the following:
  1. (JBoss only) In CA GovernanceMinder, download the sqljdbc.jar from the Microsoft Download Center and put it in the following location:  
  
JBoss:  
`RCM_Server_home\eurekify-jboss\server\eurekify\deploy\eurekify.war\web-inf\lib`
  2. In CA IdentityMinder, go to the Management Console and do the following:
    - a. Go to Environments and click the Identity Manager Environment you want to integrate with.
    - b. Click Advanced Settings, Miscellaneous.
    - c. Enter the property name "rdbdirpassword" with a valid user store password as the value.
    - d. Click Add.
    - e. Click Save.

## How to Configure Integration

Perform the following steps when you configure integration with CA GovernanceMinder.

1. Verify that the systems that host CA GovernanceMinder and CA IdentityMinder meet the [prerequisites](#) (see page 27).
2. In CA IdentityMinder, add integration support to your environment by importing the Smart Provisioning role definitions.  
  
**Note:** The Smart Provisioning role definitions include the tasks that you use to configure the connection to CA GovernanceMinder in the User Console.
3. In CA GovernanceMinder, complete the following steps:
  - a. Create a universe.
  - b. Configure an import connector to CA IdentityMinder.
  - c. Import data from CA IdentityMinder to CA GovernanceMinder. This import creates a CA GovernanceMinder role model.
4. Verify that a CA GovernanceMinder connection object was created in CA IdentityMinder.

The following flowchart illustrates the steps required to configure integration between CA IdentityMinder and CA GovernanceMinder.



## Import Role and Task Definitions for Integration

To configure CA IdentityMinder to work with CA GovernanceMinder, you add a set of role and task definitions to a CA IdentityMinder environment.

### To import role and task definitions

1. In the Management Console, click Environments.

A list of CA IdentityMinder environments appears.

**Important!** If this environment was created in a previous release of CA IdentityMinder, be sure that you updated the role definitions after the upgrade and before performing the following steps. For more information about updating role definitions for an environment, see the *CA IdentityMinder Upgrade Guide* for your application server.

2. Click the name of the CA IdentityMinder environment where you want to import the role and task settings.

The Properties screen for that environment appears.

3. Click Role and Task Settings, and click Import.

4. Select the Smart Provisioning role definitions file to create default roles and tasks for the environment.

**Note:** The Smart Provisioning role definition file includes tasks that you use to configure the connection to CA GovernanceMinder in the User Console. Import this file even if you do not plan to use the Smart Provisioning functionality.

5. Click Finish.

The status is displayed in the Role Configuration Output window.

6. Click Continue to exit.

7. If the CA IdentityMinder environment was running, restart the CA IdentityMinder environment.

## Create a Universe in CA GovernanceMinder

Similar to an CA IdentityMinder environment, a universe is a view into a management workspace that lets CA GovernanceMinder administrators manage entities such as users, roles, and resources collected from CA IdentityMinder. Entity data is stored in the CA GovernanceMinder database. A universe consists of a specific pair of Master-Model configurations, enabling tracking of differences between the real-world configuration imported from the system (Master) and the desired configuration generated (Model).

To import data from CA IdentityMinder, you need a universe in CA GovernanceMinder to store the data.

You need the following information to create a universe within CA GovernanceMinder:

- Master configuration file name
- Model configuration file name
  - Important!** You must provide names of configuration files that do not exist yet.  
Example configuration file names: CA\_IMmaster.cfg, CA\_IMmodel.cfg.
- (Optional) Approved Audit Card
- Names of the fields (in the configuration files) that contain the following information:
  - Login
  - Email
  - User manager
  - Role manager
  - Resource manager
- Audit Settings file name

**Note:** For more information about creating a universe, see the *CA GovernanceMinder Configuration Guide*.

## How to Define an Import Connector to CA IdentityMinder

CA GovernanceMinder imports data from CA IdentityMinder by using an import connector. To define the connector, perform the following procedures.

1. Define the connection parameters to access CA IdentityMinder.
2. Define the data mappings to define how the connector maps CA IdentityMinder objects to CA GovernanceMinder objects.

Once you define the import connector to CA IdentityMinder and run an initial import, CA GovernanceMinder automatically creates a CA IdentityMinder connection object back to CA GovernanceMinder.

### To define an import connector

1. Login to the CA GovernanceMinder Portal as an administrator.
2. Go to Administration, Universes.  
A list of universes appears.
3. Click on the universe you want to import data to.
4. Select the Connectivity Tab.  
The Connector screen opens.

5. Be sure that the Import option button is selected and click Add Connector.  
The Connector wizard appears.
6. Provide values for all mandatory connector settings and mappings.
7. Click Finish  
The new import connector is defined in CA GovernanceMinder.
8. (Optional) Click the Owner link next to the new connector and set a user as the owner of the connector. This user is notified by email if the connector fails during an import or export job.
9. (Optional) Select the new connector and click Validate.  
The connector parameters and configuration are validated.

**Note:** A matching export connector is automatically defined in CA GovernanceMinder for every import connector you define.

## Define a Connector to CA IdentityMinder

To define an import connector to CA IdentityMinder, use the import connector wizard under the connectivity tab of the universe. The wizard guides you through mapping Identity Manager users, roles, and account templates to CA GovernanceMinder.

The following steps are reflected in the connector wizard. Perform these steps to define a connector to CA IdentityMinder.

1. (Connection Settings) Configure the connectivity between CA IdentityMinder and CA GovernanceMinder. Provide the following connection information:
  - Identity Manager Server information and Identity Manager environment credentials.  
Be sure to use the login name of a CA IdentityMinder administrator who has admin roles with the following tasks:
    - Create Web Services Configuration
    - View Web Services Configuration
    - Modify Web Services Configuration
    - Delete Web Services Configuration

- DefineCARCMConnection - included in the CA GovernanceMinder Configuration Manager role.
- DeleteCARCMConnection - included in the CA GovernanceMinder Configuration Manager role.

**Note:** For instructions on adding admin tasks to an admin role, see the topic Select Admin Tasks for the Role in the Admin Roles chapter in the *CA Identity Manager Administration Guide*.

If you have SiteMinder in your deployment, set the CA IdentityMinder port to 80.

- CA GovernanceMinder Server information and credentials

**Note:** The Register RCM Connection check box is selected by default. This option causes the import to automatically create the CA GovernanceMinder connection object within CA IdentityMinder. Clearing this check box supports the use case of importing one Identity Manager environment into several CA GovernanceMinder universes. Because Continuous Updates and Smart Provisioning can only work with one universe, if you configure multiple universes to one Identity Manager environment, each time you run an import, it changes the CA GovernanceMinder connection object in CA IdentityMinder to point to the universe you are importing to. By clearing this check box, the import process does not try to create or change the CA GovernanceMinder connection object within CA IdentityMinder.

- The CA GovernanceMinder universe to be associated with the Identity Manager environment.
- The Additional Connection Properties area is only used for setting the FIPSKeyFile property.

2. (Identity Manager Users and Provisioning Roles) Map Identity Manager users to CA GovernanceMinder users and provisioning roles to CA GovernanceMinder roles.

**Note the following:**

- Click Add in the right-hand corner of the User Mapping section to add more user mappings between CA GovernanceMinder and CA IdentityMinder.
- Mapping fields are case-sensitive.
- Use the filter to import a subset of users or provisioning roles from CA IdentityMinder.
- CA IdentityMinder users and provisioning roles are automatically populated in the drop-down list.
- You can enrich imported user data with supplementary Human Resources (HR) data.

- (Endpoint Types) [Define mappings](#) (see page 34) between endpoint objects and CA GovernanceMinder resources.

**Note the following:**

- Be sure that you have imported all role definitions files in CA IdentityMinder for every endpoint type that you have, otherwise they do not appear in the endpoint type drop-down list.
  - Mapping fields are case-sensitive.
  - For more information about endpoints, and endpoint objects and attributes, see the [Endpoint Guides on CA Support](#).
  - You can enrich imported endpoint data with supplementary resource data.
- (Summary) Review the connector information and click Finish to save the connector.

**Note:** A matching export connector is automatically defined in CA GovernanceMinder for every import connector you define.

## Define Endpoint Mappings

This section of the connector wizard allows you to map endpoint objects to CA GovernanceMinder objects.

**Note:** For more information about endpoints, and endpoint objects and attributes, see the [Endpoint Guides on CA Support](#).

**To define endpoint mappings**

- Select the endpoint type from the drop-down list on the right and click Add.
- Under Account Template, select account templates for following fields:

**Copy From**

Defines the existing account template in CA IdentityMinder. This is used during an export. If an account template is created by CA GovernanceMinder, it only knows about some of the account template attributes. CA GovernanceMinder uses the existing account template to create a full attribute list when creating a new account template in CA IdentityMinder during export.

**Create Account From**

Defines the account template used to create an account when a user does not have an account on the endpoint. This is used during an export.

- (Optional) Use the Account Template filter to import a subset of account templates from CA IdentityMinder.
- Under Field Mapping, map account template attributes to CA GovernanceMinder role fields.

5. Under Endpoint List, click Add on the right to add an endpoint.
6. Under Endpoint Name, select an endpoint based on a pattern, or select an endpoint by name.
7. Under Endpoint Template, select one of the following:
  - (Recommended) Use template—loads a default template for the endpoint, mapping endpoint objects to appropriate CA GovernanceMinder resources.
  - Use template from file—allows you to browse and load an existing endpoint template from a file.

**Note:** If you want to adjust the endpoint mappings of a loaded template, select the Customize Selected Endpoint Template check box.

- [Use custom configuration](#) (see page 35)—allows you to create your endpoint configuration manually.

**Important!** Custom configuration of an endpoint requires advanced knowledge of both CA IdentityMinder and CA GovernanceMinder, and how each system treats objects. Use the default endpoint templates if you are not familiar with these concepts.

1. Click Next.
2. Repeat Steps 5 through 8 for each endpoint.
3. Click Ok.
4. Return to Step 1 and repeat the entire process per endpoint type.

## Define a Custom Configuration for the Endpoint

**Important!** For more information about endpoints, and endpoint objects and attributes, see the [Endpoint Guides on CA Support](#).

If you select Use custom configuration for your endpoint template, you must manually provide mappings between CA IdentityMinder and CA GovernanceMinder so that both systems understand the relationships between objects.

1. Under Define User Accounts, map endpoint account attributes to CA GovernanceMinder account attributes.

**Note the following:**

- Use the filter to import a subset of accounts from CA IdentityMinder.
- Click Add in the right-hand corner of the User Mapping section to add more user mappings between CA GovernanceMinder and CA IdentityMinder.

2. Click Next.

3. Define [associations](#) (see page 37) for the endpoint. This screen allows you to do the following:

- Define how objects in an endpoint map to objects in CA GovernanceMinder, for example, a group in Active Directory is a resource in CA GovernanceMinder
- Define how different objects are linked
- Define additional properties for both objects and links, where available

Define associations as follows:

- a. Under Association List, click Add to the right.
- b. Select the initial object type (specific to the endpoint) to associate in the From object type drop-down list.
- c. Select the relationship attribute used to associate the two objects.
- d. Click Ok.
- e. (Optional) Under Custom association fields mapping, click Add to provide any link attribute mapping information.

Some associations have additional data related to them stored in attributes. Add the attribute mapping information if there is an attribute related to the association.

Click Ok.

4. At this point, the object that the account is associated to does not yet relate to a known CA GovernanceMinder resource. Define the relation to a resource as follows:

- a. Click the 'Select RCM role/resource' active link.
- b. Provide a name for the CA GovernanceMinder resource.
- c. (Optional) Click Edit to add field mappings for the related object.

You can map attributes on the endpoint object to fields on the CA GovernanceMinder resource.

- d. Click Ok.

5. Repeat Steps 3 and 4 for each association.
6. Click Ok.

## Associations Overview

### Object in CA IdentityMinder compared to objects in CA GovernanceMinder

When looking at CA GovernanceMinder and CA IdentityMinder and how they handle linked objects, there are some differences. Because of these differences, we must map associations between the two systems so that both CA GovernanceMinder and CA IdentityMinder understand the relationships between objects. In CA GovernanceMinder, two objects are linked without dealing with how they are linked. In CA IdentityMinder, two objects are linked through an attribute. For example, in CA GovernanceMinder, an Active Directory account and a resource that represents a group can be linked. In CA IdentityMinder, the account is connected to the group through an attribute named "groupMembership". Without telling CA IdentityMinder which attribute to use, you cannot connect the group to the account.

### The Issue

When mapping associations (which become links in CA GovernanceMinder) you must reduce the definition of the link from containing three values (from what object, to what object, and through which attribute) to only two values (from which object to which object). This reduction happens during import from CA IdentityMinder to CA GovernanceMinder, but an issue arises when building the three-value definition out of two values when exporting back to CA IdentityMinder. Once you map an association, you provide both the attribute and the object names in CA IdentityMinder. When you export a link, the connector then knows which resource is linked to the account. All three values are now available for CA GovernanceMinder to export.

Once mapped, the CA GovernanceMinder resource refers to both the mapped object (AD group) and the attribute (groupMembership). If an account can be connected to the same object by different attributes, the account must be defined as multiple resources in CA GovernanceMinder. Each resource then represents an object linked by a specific attribute. These multiple resource definitions allow the export to identify which attribute the user referred to when connecting a resource to the account.

**Note:** A resource with no association is not understood between the two systems.

### Example

For example, Unix has an account connected to Unix groups using either the "primary group" attribute or the "group membership" attribute. If there is only one resource in CA GovernanceMinder named "Unix group" when it is mapped to an account, CA GovernanceMinder does not know whether to use the primary group or the group membership attribute when exporting to CA IdentityMinder. Therefore, you map two associations, each to a different resource. For example, if the Unix endpoint has group "A", then you map two resources, one representing "A", "primary group" and the other representing "A", "group membership". Then CA GovernanceMinder reads the associations and understands which attribute was referred to when it exports the data.

### **Working with Associations**

After defining how endpoint objects are linked, you map them to CA GovernanceMinder objects by giving names to the CA GovernanceMinder roles and resources. Initially, an object on the endpoint is marked as a resource and CA GovernanceMinder offers to name the resource using the name of the object. After an object is mapped to a resource, if that object is used in other associations, the existing resource or role definition must be used. However, if you have more than one association between two exact objects linked by different attributes, you cannot use the same resource or role definition for both associations, and the endpoint object must be mapped to a new resource or role in CA GovernanceMinder.

Because each resource is mapped to an object on the endpoint, attributes can be mapped from the endpoint object to the resource. For example, a resource representing an AD group can have an attribute containing the group description. This option is not currently applicable to roles, as they cannot have custom attributes in CA GovernanceMinder.

Associations that do not start from an account are only possible in a *deep* use case. A deep use case is only available with the CA IAM Connector Server. If a deep use case is used, the mapping must have an account connected to a role and a role connected to a resource. The association between the account and the resource directly should also be defined, though not enforced.

### **Custom Association Attributes (Link Attributes)**

An association itself can have attributes in the form of link attributes. Link attributes define that the link between two objects has a risk, so there is a risk attribute with a value. For example, you have an association between an SAP account and a role. A role is an object that can be mapped to a resource. Different accounts can have the same role. However, each account is linked to the role for a restricted time period. The association itself has attributes that contain the start and end dates for the restricted time period.

## **Enrichment**

During an import, you can merge supplementary Human Resources (HR) data or additional role and resource data with the existing users, roles, and resources databases.

For every field in the database that has a matching field in the enrichment file, CA GovernanceMinder updates the record in the database according to the enrichment setting in the file. This feature allows you to add data that does not exist in the endpoint that may be useful during certification. Also, extra data may be required for correlation in some cases.

A supplementary enrichment file must be in CSV file format.

When performing enrichment, select the attribute in both the database and the enrichment file that you want to use to match records. You can specify this match to be case-sensitive.

**Note:** An enrichment file record can match multiple database records, for example, matching the department field in the users database updates all the users in the same department.

The following options are available when performing enrichment during an import:

**(Users and Resources only) Update fields that are different from enrichment file**

Select this option to change the fields in the database if they differ from the enrichment file. Clear the option to keep the data in the database and add any deltas from the enrichment file.

**Clear Fields that are empty in the enrichment file**

Select this option to delete data for a field if the corresponding entry in the enrichment file is blank. Clear the option to disregard empty fields in the enrichment file and keep the existing content in the database.

## Hide the Custom Configuration Option in the Connector Wizard

If you do not want to allow users to customize endpoint mappings when defining a connector to CA IdentityMinder or the CA IAM Connector Server, you can hide the 'Use custom configuration' option in CA GovernanceMinder. The following property controls whether a user can access the custom configuration option when defining a connector to CA IdentityMinder or the CA IAM Connector Server.

**universe.property.universe\_name.endpointAssociations.enabled**

Defines whether the custom configuration option appears in the connector wizard. When true, the option to customize endpoint mappings appears. When false, the option to customize endpoint mappings is not available. Also, when set to false, the user cannot configure associations for loaded endpoint templates.

**Default:** True

## Map Person ID to Ensure Unique User IDs

If you have an endpoint with a display name that is not unique, map the Person ID field to another attribute. For example, you have the following two accounts on Active Directory with the same display name:

- smijo09 - John Smith
- jsmith - John Smith

In this scenario, the account display name is "John Smith" for both accounts, and "John Smith" is sent to CA GovernanceMinder as the unique user ID for both accounts. This scenario creates a problem in CA GovernanceMinder as the display name for both accounts is not unique.

To fix this issue, map the Person ID field to another attribute in the endpoint. For Active Directory, map the Person ID field to the ntAccountID (Account ID before Microsoft Windows 2000) attribute. This mapping would send 'smijo09' and 'jsmith' as the unique user IDs for the accounts in the previous example.

## Import CA IdentityMinder Data to CA GovernanceMinder

After you define the connector between CA IdentityMinder and CA GovernanceMinder, you can import information about users, roles, and endpoint privileges into CA GovernanceMinder. Role engineers can then analyze that data using various tools in CA GovernanceMinder. Once the role engineers determine the role structure, they can apply changes, based on that structure, to CA IdentityMinder.

You import data from endpoints managed by CA IdentityMinder by defining connector jobs in the CA GovernanceMinder portal. You can then run a connector job, or define a schedule that automatically runs a job at specified intervals.

**Note:** For more information about running an import connector job, see the *CA GovernanceMinder Configuration Guide*.

The import creates the configuration files (CFG) you specified in the universe and populates them with CA IdentityMinder data. Also after import, the connection object between CA IdentityMinder and CA GovernanceMinder is automatically created.

## Verify the Connection to CA IdentityMinder

A connection to CA GovernanceMinder is automatically configured in CA IdentityMinder to enable integration. Verify that the connection object in CA IdentityMinder was created.

### To verify the connection object to CA GovernanceMinder

1. Log in to the User Console as a user with system management privileges.
2. Go to System, CA GovernanceMinder Configuration, Define Configuration.

The CA GovernanceMinder connection details are automatically populated under the Connection Settings tab.

This connection object also defines the Smart Provisioning and Continuous Update settings that are also made available after the initial import.

3. Click Test Connection to verify that CA IdentityMinder can connect to CA GovernanceMinder.

CA IdentityMinder displays the connection status at the top of the screen.

4. Click Cancel.

CA IdentityMinder can now successfully communicate with CA GovernanceMinder.

**Note:** If there is a problem with the connection object, [manually configure a connection to CA GovernanceMinder](#) (see page 41).

## Manually Configure a Connection to CA GovernanceMinder

If a connection to CA GovernanceMinder was not automatically created within CA IdentityMinder, configure a connection manually to CA GovernanceMinder. This allows you to see Smart Provisioning functionality and configuration options in the User Console.

### To manually configure a connection to CA GovernanceMinder

1. Log in to the User Console as a user with system management privileges.
2. Go to System, CA GovernanceMinder Configuration, Define Configuration.

**Note:** Do not use other connection tasks in the User Console to create the connection to CA GovernanceMinder.

The Connection Setting tab appears.

3. Enter the following information about the system where CA GovernanceMinder is running:

**Host**

The fully qualified name or IP address of the system where CA GovernanceMinder is installed.

**Port**

The port number for CA GovernanceMinder.

**User ID**

The name for an account that has privileges to access CA GovernanceMinder.

**Password**

The password for the account specified in the User ID field.

**Secure Connection (HTTPS)**

Enables an HTTPS connection between CA IdentityMinder and CA GovernanceMinder.

**Note:** You must have SSL configured to secure the connection between CA IdentityMinder and CA GovernanceMinder.

4. Enter the following information about CA GovernanceMinder:

**Universe**

The name of the universe in CA GovernanceMinder that CA IdentityMinder communicates with.

A universe is a virtual location in CA GovernanceMinder that encompasses the data collected from CA IdentityMinder.

**Note:** You create a universe in the CA GovernanceMinder Portal. For more information, see the *CA GovernanceMinder Configuration Guide*.

5. Click Test Connection to verify that CA IdentityMinder can connect to CA GovernanceMinder.

CA IdentityMinder displays the connection status at the top of the screen.

6. Click Submit.

CA IdentityMinder can now successfully communicate with CA GovernanceMinder.

## Edit Continuous Update Settings

When integrated, CA IdentityMinder notifies CA GovernanceMinder of changes at frequent intervals. Continuous updates provide CA GovernanceMinder with the most current CA IdentityMinder information.

When a user, role, or account change occurs, CA IdentityMinder generates a notification and adds it to a queue. At specified intervals, CA IdentityMinder creates an aggregate notification with all the information in the queue (up to the maximum batch size) and sends it to CA GovernanceMinder.

### To edit continuous update settings

1. Log into the User Console as a user with administrative privileges.
2. Go to System, CA GovernanceMinder Configuration, Define Configuration.

The Configuration Screen appears with the following tabs, Connection Settings, Smart Provisioning, and Continuous Update.

3. Under the Continuous Update tab, set the following defaults:

#### Post Notifications to Queue

Enables the queuing of notifications for all CA IdentityMinder tasks that complete successfully. If you clear this check box, no notifications are queued to be sent to CA GovernanceMinder.

**Note:** This check box can be selected even if the CA GovernanceMinder connection is disabled, meaning notifications are queued until the connection is re-established.

#### Send Queued Notifications

Enables the sending of notifications queued up in the analytics queue. If you clear this check box, CA IdentityMinder suspends the sending of notifications to CA GovernanceMinder. If the CA GovernanceMinder connection is disabled, no notifications from the analytics queue are sent to CA GovernanceMinder. If the Queue Notification check box is cleared, this check box is cleared also. No notifications can be sent if you do not queue the notifications.

**Note:** You may want to disable the sending of notifications if the CA GovernanceMinder Server is unavailable.

**Maximum Notification Batch Size**

Defines the maximum number of notifications that are read from the queue and sent to CA GovernanceMinder in a batch for that interval.

**Default:** 1000 notifications

**Notification Batch Transmit Interval**

Specifies the interval in seconds, minutes, or hours between times when CA IdentityMinder sends a batch of notifications from the queue to CA GovernanceMinder.

**Default:** 59 seconds

**Minimum:** 1 second

4. Click Submit.

# Chapter 4: Exporting Data to CA IdentityMinder

---

This section contains the following topics:

[Export to CA IdentityMinder](#) (see page 45)

[Continuous Export](#) (see page 46)

[CA IdentityMinder Model Fix](#) (see page 46)

[Model Compatibility](#) (see page 47)

[Change the CA GovernanceMinder Export Administrator](#) (see page 47)

## Export to CA IdentityMinder

**Important!** Enable the [model fix](#) (see page 46) before exporting to CA IdentityMinder, otherwise the export detects model compatibility issues and exits.

To push updated CA GovernanceMinder data to CA IdentityMinder, you perform an export. The export process takes the differences between the Master and Model configurations, creates a DIFF file and sends those changes to CA IdentityMinder. Once CA IdentityMinder completes all the changes defined in the DIFF file, it sends a notification back to CA GovernanceMinder. At that time, CA GovernanceMinder updates the Master to reflect what is in the Model and Continuous Update keeps CA IdentityMinder and the CA GovernanceMinder Master configuration synchronized.

An export from CA GovernanceMinder now updates data in the CA IdentityMinder object store, and *not* the Provisioning Server. This allows you to take advantage of the following CA IdentityMinder features:

- CA IdentityMinder task model
- CA IdentityMinder transaction logging
- CA IdentityMinder policy triggers

**Note:** When you define a CA IdentityMinder Connector in CA GovernanceMinder, a matching export connector is automatically defined.

If you are exporting many changes to CA IdentityMinder, and the export takes a long time, you can use the following property to tune the export to CA IdentityMinder:

### **connectors.im.export.thread.pool.size**

Defines the thread pool size for an export to CA IdentityMinder.

**Default:** 15

## Continuous Export

For CA GovernanceMinder to continuously send data to CA IdentityMinder, instead of waiting for the next export to send over bulk changes, enable continuous export. To enable continuous export, select the CONTINUOUS\_EXPORT check box in the Connector (Export) screen. Also, in the CA GovernanceMinder Portal, go to Administration, Settings, Property Settings and set the following properties:

- `modelEvent.producer.fireEvent`: Set to a permitted value - AGGREGATE, or ATOMIC
- `approval.isModelChangeNotificationOn`: TRUE
- `modelEvent.notify.topic`: TRUE

## CA IdentityMinder Model Fix

**Important!** Enable the model fix before exporting to CA IdentityMinder, otherwise the export detects model compatibility issues and exits.

While working in CA GovernanceMinder, you may change a Model configuration and create a scenario that is not supported in CA IdentityMinder. For example, CA IdentityMinder does not allow a resource to be linked directly to a provisioning role. The export process to CA IdentityMinder can fix any issues with the Model configuration and ensures that every user maintains the same privileges it had before the fix.

The CA IdentityMinder model fix corrects invalid links between roles to resources and users.

**Note:** Configurations imported using legacy connectors are fixed using the legacy autofix functionality.

In the Connectivity tab of the universe, in the export screen, you can select one of the following model fix options:

- Automatic—if errors are found in the model, corrections are made during export.
- Manual—if errors are found in the model, this option creates a business workflow and sends it to the administrator for approval.

**Note:** To analyze a universe and fix configurations with invalid links manually, go to Administration, Settings, Autofix IM Configuration.

- No—if there are errors, no corrections are made to the configuration and the export does not run.

The following building blocks were added and can be used in the export processes:

- `AutoFixCheck`—returns true/false(configuration has invalid links)
- `AutoFixConfiguration`—fix the configuration

## Model Compatibility

When you integrate CA GovernanceMinder and CA IdentityMinder, the following incompatibility can occur.

CA GovernanceMinder privileges are additive, meaning that a user is given every privilege dictated by the roles that they belong to. However, in CA IdentityMinder, an account can be subtractive, meaning that a user can have fewer privileges than its account template dictates.

The normal import and export process between CA GovernanceMinder and CA IdentityMinder does not detect the difference between assigned privileges due to the previous issue, so there is a discrepancy between CA IdentityMinder data and CA GovernanceMinder data.

CA GovernanceMinder detects missing privileges during an import process, and then adds the missing privileges during export. To enable this solution, select the Model Compatibility check box under the Connectors (Export) screen.

**Note:** Model compatibility is not run during continuous export. To retain this functionality, schedule a full export to run at regular intervals.

## Change the CA GovernanceMinder Export Administrator

To run tasks associated with the CA GovernanceMinder export in CA IdentityMinder, an administrative user is selected to run the task. CA IdentityMinder selects an administrative user that has the System Manager role. If you want to change the administrative user to run CA GovernanceMinder export tasks, go to System, CA GovernanceMinder Configuration, Change Export Administrator and select a new user.

The selected user will be a member of the role associated with the web services configuration of CA GovernanceMinder export. This user does not have to have a system manager role.



# Chapter 5: Smart Provisioning

---

This section contains the following topics:

[Smart Provisioning Overview](#) (see page 49)

[Edit Global Smart Provisioning Settings](#) (see page 50)

[Suggested Provisioning Roles](#) (see page 53)

[Compliance Violations](#) (see page 61)

[Smart Provisioning for the Bulk Loader Task](#) (see page 65)

## Smart Provisioning Overview

Smart Provisioning enhances day-to-day identity management operations when CA IdentityMinder integrates with CA GovernanceMinder. When Smart Provisioning is enabled in an environment, certain tasks gain the following functionality:

- Suggested provisioning roles
- Out of Compliance violations

When CA IdentityMinder administrators create a user, or modify a user, provisioning role, account, or account template, a request for a list of suggested roles or a request to validate changes for compliance violations is sent to CA GovernanceMinder. The CA GovernanceMinder Server evaluates the request against the existing role model or business policy rules (BPRs), and returns a list of suggested roles or any compliance violations to CA IdentityMinder.

**Important!** You can implement Smart Provisioning in an Identity Manager Environment once you [clean up the data](#) (see page 50) in your CA GovernanceMinder universe and define the [Business Policy Rules](#) (see page 50) (BPRs) that you want to use for compliance.

## Data Cleanup

When you initially import data into CA GovernanceMinder, the data may contain entities and relationships that cause violations. Pattern-based audit allows you to perform internal analytics to detect mistakes, such as a user that has too many resources compared to other users.

We recommend that you run a pattern-based audit check on imported data before you use Smart Provisioning in CA IdentityMinder. This audit check cleans up your data so that fewer violations trigger when performing Smart Provisioning compliance checks in CA IdentityMinder.

**Note:** For more information about pattern-based audit checks, see the *CA GovernanceMinder Client Tools Guide*.

## Business Policy Rules (BPRs)

You can create Business Policy Rules (BPRs) for compliance checking in CA GovernanceMinder. These specific rules define constraints on user, role, and resource relationships, such as if you have X resource, you cannot have Y resource.

Once you create the BPRs you need for your business compliance needs, you list the BPRs you want to apply to a particular universe in the audit properties file. You specify the audit properties file to use when creating a universe. Once specified, this file defines the audit check parameters for the universe, regardless of what CA GovernanceMinder process kicks off the audit check.

When you have Smart Provisioning enabled in CA IdentityMinder, the audit properties file defines which BPRs are used for Smart Provisioning compliance analytics.

**Note:** When you've completed all BPRs, you should run them against the imported CA IdentityMinder configuration to be sure that the initial state of all CA IdentityMinder users meets the compliance policies.

## Edit Global Smart Provisioning Settings

To enable or disable Smart Provisioning functionality or edit global defaults for suggested roles and compliance checking across all tasks, log into the User Console as an administrator and go to System, CA GovernanceMinder Configuration, Define Configuration, and access the Smart Provisioning tab.

**Note:** If any task must be configured differently than the global settings, you can adjust the settings at the task level. Task-level settings override global settings.

You can edit the following Smart Provisioning settings:

### **Smart Provisioning Settings**

#### **Enable Smart Provisioning**

Enables or disables Smart Provisioning functionality. Smart Provisioning can be disabled even though a connection with CA GovernanceMinder exists.

### **Global Tab Settings**

#### **Display Suggested Provisioning Roles Button**

Determines whether the Suggested Provisioning Roles button appears on the Provisioning Roles tab.

#### **Analytics Suggest Search Screen**

Defines the search screen used for the role suggest feature.

#### **Display Advanced Suggestion Configuration for Results**

Determines whether the Advanced Suggestion Configuration section appears on the results page of the role suggest feature, after a search is performed.

The Advanced Suggestion Configuration section allows administrators to enter new criteria for a suggested roles search. Administrators can select the type of criteria (Matched Rule and Matched Attributes).

#### **Enable 'Matched Rules' Analytics by Default**

Determines whether CA IdentityMinder suggests provisioning roles if the current user matches the rule that determines membership in a CA GovernanceMinder role.

You can override this default setting during the search using the Advanced Suggestion configuration screen.

#### **Enable 'Matched Attributes' Analytics by Default**

Determines whether CA IdentityMinder suggests provisioning roles that other users who have similar profile attributes also have.

You can override this default setting during the search using the Advanced Suggestion configuration screen.

### **Display Weighted Score Column for 'Matched Attributes' Analytics**

Determines the display of columns in the list of suggested provisioning roles. When this option is selected, CA IdentityMinder displays the Weighted Score column, which indicates the highest score the suggested provisioning role received across all the criteria in the search.

### **Weighted Score Threshold for 'Matched Attributes' Analytics**

Defines a threshold for 'Matched Attributes' search results returned by the suggest role feature. For each suggested role, CA GovernanceMinder returns a score from 1 to 100 percent depending on the level of attribute matching. Roles suggested with a score less than the threshold are not displayed.

**Note:** Some CA IdentityMinder attributes may be more important to you than others, therefore CA GovernanceMinder allows you to customize the weight of any attribute in order to provide more useful analytics. For more information about setting attribute weights, see the *Configuration Guide*.

## **Bulk Loader Task Settings**

### **Automatically Assign Roles that Match Rule**

Determines if the Bulk Loader task uses 'Matched Rules' to search for roles. Any roles returned are automatically assigned.

### **Automatically Assign Roles that Match Attributes**

Determines if the Bulk Loader task uses 'Matched Attributes' to search for roles. Any roles returned that exceed the Weighted Score Threshold are automatically assigned.

### **Weighted Score Threshold for 'Matched Attributes' Analytics**

Defines a threshold for 'Matched Attributes' search results returned by the suggest role feature. For each suggested role, CA GovernanceMinder returns a score from 1 to 100 percent depending on the level of attribute matching. Roles suggested with a score less than or equal to the threshold are not assigned.

**Note:** Some CA IdentityMinder attributes may be more important to you than others, therefore CA GovernanceMinder allows you to customize the weight of any attribute in order to provide more useful analytics. For more information about setting attribute weights, see the *CA GovernanceMinder Configuration Guide*.

## Compliance Settings

### Out of Compliance Analytics Level

Determines the level of information from the CA GovernanceMinder compliance analysis that CA IdentityMinder displays.

You can set the following levels:

- No Analytics
- Issue Info Messages
- Issue Warning Messages
- Issue Error Messages

**Note:** For more information about the behavior of the different levels, see [Types of Violations](#) (see page 63).

### Out of Compliance Severity Threshold

Indicates the minimum severity score of compliance violations to display. For example, if you specify 75, CA IdentityMinder only displays compliance violations that have a severity score of 75 or above.

This setting limits the number of compliance violations that appear for the task.

If Issue Error Messages is selected, this setting also affects which tasks can be submitted. For example, if you set the cutoff to skip errors with low scores, users can submit tasks that contain errors.

### Enforce Compliance Check on Submit

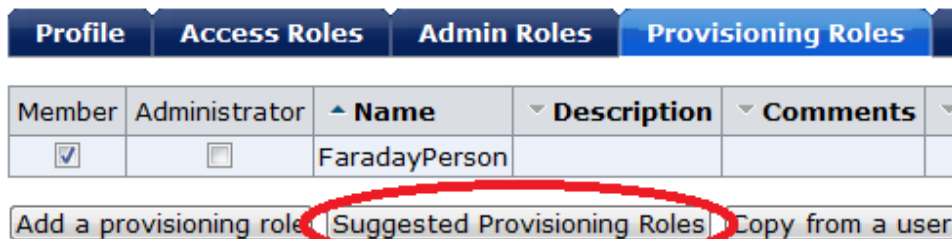
When selected, compliance checks occur automatically when a task is submitted. Users do *not* have to manually select the Check Compliance button to see compliance violations.

**Note:** If enabled, tasks executed by TEWS also enforce compliance checks on submit. This option does not apply to bulk loader tasks.

## Suggested Provisioning Roles

When CA IdentityMinder integrates with CA GovernanceMinder, CA IdentityMinder can provide administrators with a list of provisioning roles that may be appropriate to assign to a user. CA GovernanceMinder determines the list of provisioning roles based upon criteria entered by the administrator.

By default, when an CA IdentityMinder environment has an active connection to CA GovernanceMinder, the Provisioning Roles tab includes a Suggested Provisioning Roles button, as shown in the following graphic:



Administrators click the button to view the list of possible roles that they can assign to users. CA IdentityMinder displays the list of roles that meet default criteria in a Provisioning Role search screen. This default criteria is defined when an administrator initially configures the search screen.

If administrators want to view additional provisioning roles, they can search for those roles without using the suggestion feature. In some implementations, administrators can also expand the Advanced Suggestion Configuration section to specify new suggestion criteria.

**Note:** In some implementations, the Advanced Suggestion Configuration is not available. System administrators can hide or show this section by selecting the Display Advanced Suggestion Configuration for Results option in the [global default settings](#) (see page 50).

## Criteria for Suggested Roles

CA GovernanceMinder suggests provisioning roles for a user based on one or more of the following criteria:

- **Match Rule**

CA GovernanceMinder suggests provisioning roles if the current user matches the rule that determines membership in the CA GovernanceMinder rule-based role.

For example, the Sales Manager role has the following matching rule: Title = Sales Manager. If a user has Title=Sales Manager but is not a member of Sales Manager role, CA GovernanceMinder suggests this role for this user.

**■ Match Attributes**

CA GovernanceMinder suggests provisioning roles that belong to users with similar attributes.

For example, an administrator wants to assign roles to an employee who has the following attributes in his profile:

- Title: Sales Associate
- Manager: Bob Folchart
- Office: Northeast

Users who have the same title, manager, and office have the Employee and Northeast Sales Associate roles. CA GovernanceMinder suggests these roles for assignment.

CA GovernanceMinder calculates the probability that the suggested role is a match for the user by using the following criteria:

- How closely the attributes from other users match the attributes of the current user
- How many users with matching attributes have the role

The best matches have the highest number of matching attributes *and* the largest number of users with the same role. For example, ten users who have the title Sales Associate and the Manager Bob Folchart have the Remote Employee role. Five users who are located in the Northeast office have the Quota-based Salary role. The Remote Employee role would receive a better match rating than the Quota-based Salary role.

## View Suggested Roles

When CA IdentityMinder integrates with CA GovernanceMinder, you can view a list of provisioning roles that CA GovernanceMinder suggests for a particular user. The provisioning roles that CA GovernanceMinder suggests meet the following criteria:

- You have privileges to assign the provisioning roles to the selected user.
- The provisioning roles match the search criteria (if any) that you enter in the Search field.
- The provisioning roles match at least one of the selected suggestions methods.

### Follow these steps:

1. Execute a task in the User Console that includes the Provisioning Roles tab.

By default, the Provisioning Roles tab appears in the Create User and Modify User tasks.

CA IdentityMinder displays any provisioning roles that the current user already has.

2. Click Suggested Provisioning Roles.

A search screen, which allows you to specify criteria for the type of provisioning roles to suggest, opens.

CA IdentityMinder displays a list of provisioning roles that meet the default search criteria, which is defined in the [global default settings](#) (see page 50).

Each provisioning role has a [score](#) (see page 57), which indicates how well the suggested role meets the specified criteria.

3. (Optional) Augment your search using one of the following methods:

- To filter suggested provisioning roles based on an attribute of the role, such as name, enter criteria in the Search field.

You can specify full or partial wildcard searches by using an asterisk (\*) to represent all or part of a value.

- To specify new matching criteria for suggested roles, expand the Advanced Suggestion Configuration section. Select the [criteria](#) (see page 54) to use in the search and click Suggest.

CA IdentityMinder returns a list of provisioning roles that meet the criteria you specified.

**Note:** The Advanced Suggestion Configuration section may not be available in all implementations. Administrators can choose to hide or show this section when they configure global default settings.

4. Select the roles that you want to assign to the user and click Submit.

CA IdentityMinder assigns the specified roles to the user.

## Provisioning Role Scores

When CA IdentityMinder displays suggested provisioning roles based on 'Matched Attributes' criteria, it may display the weighted score of each role, which indicates how well the suggested role meets the specified criteria. Higher scores indicate a better attribute match for the user receiving the provisioning roles.

Suggested role scores range from 1 to 100 percent, with 100 indicating the best match. CA GovernanceMinder generates the scores when it evaluates the criteria for suggested roles.

You can configure the score threshold that defines the cutoff for provisioning roles displayed. For example, you can specify that only suggested roles with a score of 90 or above are displayed.

A configuration option, which is available when you [set global defaults](#) (see page 50), determines the display of the score column.

**Note:** CA GovernanceMinder assigns default weights to all CA IdentityMinder attributes. You can view these defaults under the Audit Properties screen in the CA GovernanceMinder Portal. You can assign higher or lower weights to certain attributes so that the Matched Attributes scores reflect the attributes that matter in your organization when searching for suggested roles. For more information about Audit Properties, see the *CA GovernanceMinder Configuration Guide*.

## Add Suggested Roles to Users During a Bulk Loader Task

If you integrate CA IdentityMinder with CA GovernanceMinder and have enabled Smart Provisioning in your CA IdentityMinder Environment, you can configure the Bulk Loader task to retrieve and automatically add CA GovernanceMinder suggested roles to a user when it is run. For each user that is created or modified using the Bulk Loader, role assignments are suggested and compliance analytics are run. If the roles suggested are in compliance, the roles are assigned to the user.

When the Bulk Loader task completes, CA IdentityMinder creates a Bulk Loader Notification for all certification managers. This notification appears under the Home tab and contains details on the Bulk Loader task. You can review the roles added to each user, or review any compliance violations that occurred. To resolve a compliance violation for a user, you can modify that user directly from the notification screen.

If the CA GovernanceMinder server is down when the Bulk Loader task runs, the users are created and modified, but no roles are assigned and no compliance checks are done.

To configure suggested roles for the Bulk Loader task, edit the following [global Smart Provisioning settings](#) (see page 50):

- Bulk Loader Task Settings
  - Automatically Assign Roles that Match Rule
  - Automatically Assign Roles that Match Attributes
  - Weighted Score Threshold for 'Matched Attributes' Analytics
- Compliance Settings
  - Out of Compliance Analytics Level
  - Out of Compliance Severity Threshold

### Define Task-Level Settings for the Bulk Loader Task

While you can edit global defaults for all Smart Provisioning functionality, you may want to define alternate settings for the Bulk Loader task. Task-level settings override global default settings for Smart Provisioning.

#### To define task-level suggested roles defaults

1. Log into CA IdentityMinder as an administrator who can modify admin tasks.
2. Select Roles and Tasks, Admin Tasks, Modify Admin Task.  
CA IdentityMinder opens a screen where you can search for an admin task to modify.
3. Search for the Bulk Loader task you want to modify and click Select.
4. Click the Search tab.
5. Browse and Edit the Bulk Loader Search Screen.
6. Under CA GovernanceMinder Settings, select Use Task-Level Settings.

7. Edit the following task-level settings:

**Automatically Assign Roles that Match Rule**

Determines if the Bulk Loader task uses 'Matched Rules' to search for roles. Any roles returned are automatically assigned.

**Automatically Assign Roles that Match Attributes**

Determines if the Bulk Loader task uses 'Matched Attributes' to search for roles. Any roles returned that exceed the Weighted Score Threshold are automatically assigned.

**Weighted Score Threshold for 'Matched Attributes' Analytics**

Defines a threshold for 'Matched Attributes' search results returned by the suggest role feature. For each suggested role, CA GovernanceMinder returns a score from 1 to 100 percent depending on the level of attribute matching. Roles suggested with a score less than or equal to the threshold are not assigned.

**Note:** Some CA IdentityMinder attributes may be more important to you than others, therefore CA GovernanceMinder allows you to customize the weight of any attribute in order to provide more useful analytics. For more information about setting attribute weights, see the *CA GovernanceMinder Configuration Guide*.

**Out of Compliance Analytics Level**

Determines the level of information from the CA GovernanceMinder compliance analysis that CA IdentityMinder displays.

You can set the following levels:

- No Analytics
- Issue Info Messages
- Issue Warning Messages
- Issue Error Messages

**Note:** For more information about the behavior of the different levels, see [Types of Violations](#) (see page 63).

### **Out of Compliance Severity Threshold**

Indicates the minimum severity score of compliance violations to display. For example, if you specify 75, CA IdentityMinder only displays compliance violations that have a severity score of 75 or above.

This setting limits the number of compliance violations that appear for the task.

If Issue Error Messages is selected, this setting also affects which tasks can be submitted. For example, if you set the cutoff to skip errors with low scores, users can submit tasks that contain errors.

8. Click Ok.

Task-level settings for the Bulk Loader task are saved.

## **Define Task-Level Settings for Suggested Roles**

While you can edit global defaults for all Smart Provisioning functionality, you may want to define alternate settings for a specific CA IdentityMinder task. Task-level settings override global default settings for Smart Provisioning.

### **To define task-level suggested roles defaults**

1. Log into CA IdentityMinder as an administrator who can modify admin tasks.
2. Select Roles and Tasks, Admin Tasks, Modify Admin Task.
3. Search for and select the task that you want to modify.
4. Click the Tabs tab.
5. Click the Edit icon next to the Provisioning Roles tab field.
6. Under Smart Provisioning Analytics Settings, select Use Task-Level Settings.
7. Complete the following fields as needed:

#### **Display Suggested Provisioning Roles Button**

Determines whether the Suggested Provisioning Roles button appears on the Provisioning Roles tab.

#### **Analytics Suggest Search Screen**

Defines the search screen used for the role suggest feature.

#### **Display Advanced Suggestion Configuration for Results**

Determines whether the Advanced Suggestion Configuration section appears on the results page of the role suggest feature, after a search is performed.

The Advanced Suggestion Configuration section allows administrators to enter new criteria for a suggested roles search. Administrators can select the type of criteria (Matched Rule and Matched Attributes).

**Enable 'Matched Rules' Analytics by Default**

Determines whether CA IdentityMinder suggests provisioning roles if the current user matches the rule that determines membership in a CA GovernanceMinder role.

You can override this default setting during the search using the Advanced Suggestion configuration screen.

**Enable 'Matched Attributes' Analytics by Default**

Determines whether CA IdentityMinder suggests provisioning roles that other users who have similar profile attributes also have.

You can override this default setting during the search using the Advanced Suggestion configuration screen.

**Display Weighted Score Column for 'Matched Attributes' Analytics**

Determines the display of columns in the list of suggested provisioning roles. When this option is selected, CA IdentityMinder displays the Weighted Score column, which indicates the highest score the suggested provisioning role received across all the criteria in the search.

**Weighted Score Threshold for 'Matched Attributes' Analytics**

Defines a threshold for 'Matched Attributes' search results returned by the suggest role feature. For each suggested role, CA GovernanceMinder returns a score from 1 to 100 percent depending on the level of attribute matching. Roles suggested with a score less than the threshold are not displayed.

**Note:** Some CA IdentityMinder attributes may be more important to you than others, therefore CA GovernanceMinder allows you to customize the weight of any attribute in order to provide more useful analytics. For more information about setting attribute weights, see the *Configuration Guide*.

8. Click OK to return to the Tabs tab, then click Submit to save the task.

## Compliance Violations

When CA IdentityMinder integrates with CA GovernanceMinder, CA IdentityMinder administrators can validate proposed changes against business policy rules in CA GovernanceMinder before committing changes. Validating changes before they are committed helps companies maintain the role model that they have defined for their operations.

Users can validate proposed changes involving users, roles, and accounts.

When Smart Provisioning is enabled for an environment, CA IdentityMinder validates proposed changes to users, roles, and accounts before an administrator submits a task or approves a work item. The proposed changes are validated against Business Policy Rules (BPRs), which are defined in CA GovernanceMinder and represent various constraints on privileges. For example, a BPR may prevent users who have a purchasing department role, which allows members to order stock from subcontractors, from also having the subcontractor payment role. BPRs are created by a system administrator, business manager, auditor, or role engineer in CA GovernanceMinder.

**Note:** For more information about BPRs, see the *Client Tools Guide*.

You can configure CA IdentityMinder to perform these validations automatically when users perform certain tasks, or allow users to initiate the validation manually.

### Example: Compliance Violations

When support for compliance violations is enabled in an CA IdentityMinder Environment, CA IdentityMinder displays messages that indicate whether the proposed changes violate a compliance policy in CA GovernanceMinder.

In this example, the company has configured automatic compliance checks when administrators assign provisioning roles to employees.

An employee, Nancy McDonald, is moving from the Finance group to the Sales group. In the User Console, an administrator assigns the Sales Representative provisioning role to Nancy. This role gives role members access to sales applications that generate purchase orders.

Nancy also has the Finance provisioning role, which allows members to approve purchase orders. This role was assigned to Nancy when she first started at the company, but no longer applies in her new job.

The company has a business policy rule, defined in CA GovernanceMinder, which restricts users from having the Sales Representative and Finance roles at the same time. When the administrator attempts to submit the task that assigns the Sales Representative role to Nancy, an error message is displayed.

The administrator must remove the Finance role before assigning the Sales Representative role to Nancy. Once the violation is removed, the administrator can successfully submit the task.

## Types of Violations

When compliance checks are performed, CA IdentityMinder displays violation messages above the current task in the User Console. Violations can be one of the following categories:

- **Error**

Indicates a severe compliance violation. Administrators cannot submit a task until the error is resolved.
- **Warning**

Indicates a significant compliance violation. Administrators can submit a task with one or more warnings, however, they are prompted to confirm that they are overriding the warnings. This override becomes part of the permanent record of the task. Administrators can provide an optional justification, which is also recorded with the task history.
- **Alert**

Indicates all other levels of compliance violations.

Administrators can override alerts. No confirmation or justification is required.

**Note:** You configure the analytics level globally, or when you configure specific tasks that display compliance violations.

## Compliance Violation History

When CA IdentityMinder supports compliance violations, a record of all compliance checks is recorded in the task persistence database. Users can view this history by using the View Submitted Tasks task in the User Console.

If auditing is configured for the environment, CA IdentityMinder also records compliance violations in the audit database.

CA IdentityMinder records the following types of information in the compliance violation history:

- When compliance checks are performed
- Whether the checks are run manually or automatically
- The results of the compliance check
- Any errors or warnings that are encountered
- How many times the user alters proposed changes to clear an error
- Whether any warnings are ignored, and, if so, what justification is provided
- Whether any alerts are ignored

## How to Configure Manual Validation

When manual validation is configured, a Check Compliance button appears on the task screen. Administrators can click the button to initiate a compliance or validation check before they submit a task. If the validation check returns an error message, the administrator must clear the violation before submitting the task.

Manual validation is the default method for compliance checking. Because administrators can choose to initiate a compliance check, there is minimal impact on system performance.

To configure manual validation checking, clear the Enforce Compliance Check on Submit check box when defining the [global Smart Provisioning settings](#) (see page 50) or the [task-level settings](#) (see page 60).

## How to Configure Automatic Validation

You can configure critical tasks to always perform compliance checks by enabling automatic validation. In this case, CA IdentityMinder performs the validation checks without requiring administrators to initiate the validation process.

**Note:** Automatic validation may affect performance. We recommend configuring automatic validation for critical tasks.

To configure automatic validation checking, select the Enforce Compliance Check on Submit check box when defining the [global Smart Provisioning settings](#) (see page 50) or the [task-level settings](#) (see page 60).

## Define Task-Level Settings for Compliance Violations

While you can edit global defaults for all Smart Provisioning functionality, you may want to define alternate settings for a specific CA IdentityMinder task. Task-level settings override global default settings for Smart Provisioning.

### To define task-level compliance defaults

1. Log into CA IdentityMinder as an administrator who can modify admin tasks.
2. Select Roles and Tasks, Admin Tasks, Modify Admin Task.
3. Search for and select the task that you want to modify.
4. Click the Tabs tab.
5. Click the Edit icon next to the tab controller selection field.

- Under CA GovernanceMinder Settings, select Use task settings.
- Complete the following fields as needed:

**Out of Compliance Analytics Level**

Determines the level of information from the CA GovernanceMinder compliance analysis that CA IdentityMinder displays.

You can set the following levels:

- No Analytics
- Issue Info Messages
- Issue Warning Messages
- Issue Error Messages

**Note:** For more information about the behavior of the different levels, see [Types of Violations](#) (see page 63).

**Out of Compliance Severity Threshold**

Indicates the minimum severity score of compliance violations to display. For example, if you specify 75, CA IdentityMinder only displays compliance violations that have a severity score of 75 or above.

This setting limits the number of compliance violations that appear for the task.

If Issue Error Messages is selected, this setting also affects which tasks can be submitted. For example, if you set the cutoff to skip errors with low scores, users can submit tasks that contain errors.

**Enforce Compliance Check on Submit**

When selected, compliance checks occur automatically when a task is submitted. Users do *not* have to manually select the Check Compliance button to see compliance violations.

**Note:** If enabled, tasks executed by TEWS also enforce compliance checks on submit. This option does not apply to bulk loader tasks.

- Click OK to return to the Tabs tab, then click Submit to save the task.

## Smart Provisioning for the Bulk Loader Task

If you configure Smart Provisioning on the Bulk Loader task, you can retrieve and automatically add CA GovernanceMinder suggested roles to users when running the Bulk Loader. For each user that is created or modified using the Bulk Loader, role assignments are suggested and compliance analytics are run. If the roles suggested are in compliance, the roles are assigned to the user.

**More information:**

[Add Suggested Roles to Users During a Bulk Loader Task](#) (see page 57)

# Chapter 6: Best Practices for Integration

---

This section contains the following topics:

[Import Primary Connector When Importing a New Endpoint](#) (see page 67)

[Role Owner vs. Role Approver](#) (see page 68)

[Define the %MANAGER% Well-Known](#) (see page 68)

[Avoid Changing Attribute Mappings After Import](#) (see page 69)

[Provisioning Role and User Management](#) (see page 69)

[Compliance Best Practices](#) (see page 69)

[FIPS Compliance](#) (see page 70)

## Import Primary Connector When Importing a New Endpoint

When you have a CA IdentityMinder Connector defined in CA GovernanceMinder with a few endpoints, you have the option to add an additional endpoint later, after the original endpoints are already imported. You can also select only the new endpoint and import it without the others endpoints and without the primary (As Users) CA IdentityMinder connector.

In this case, the data is imported correctly, but accounts are not matched to users. This issue occurs because the account mapping information comes from the primary connector. When importing a new endpoint defined as part of a CA IdentityMinder connector, we recommend that you always import the primary (As Users) connector with the new endpoint.

## Role Owner vs. Role Approver

In CA GovernanceMinder, you can select a CA IdentityMinder provisioning role owner or role administrator as a CA GovernanceMinder certification approver. However, if you have a deployment with hundreds of owners for an CA IdentityMinder role and you select role owner as the CA GovernanceMinder certification approver, CA GovernanceMinder sends an approval email to a limited number of owners. We recommend that you limit the number of role owners and role administrators set for a given role within CA IdentityMinder.

### **imRole.approvers.countLimit**

Defines the number limit of how many CA IdentityMinder owners or administrators are notified during a certification.

**Default:** 20

**Note:** For more information about how to configure CA GovernanceMinder to retrieve CA IdentityMinder Role Owners and Role Administrators, see the *CA GovernanceMinder Administration Guide*.

## Define the %MANAGER% Well-Known

CA IdentityMinder stores a user's manager information in DN format and has no reference to the name of the user's manager as it appears in the system.

For example, the user "John" has a manager field value of "cn=grali04,OU=development" in CA IdentityMinder. This DN corresponds to the user "Linda", however there is nothing to indicate that "cn=grali04,OU=development" refers to this user.

When integrating with CA GovernanceMinder, and if the CA IdentityMinder directory supports the %MANAGER% well-known on an attribute containing manager data, the CA IdentityMinder directory attribute definition must define the well-known. Otherwise, CA GovernanceMinder can not find the manager information of employees for approvals during a certification, and sends the approval request to a default approver.

**Note:** For more information about well-known attributes, see the *CA IdentityMinder Configuration Guide*.

## Avoid Changing Attribute Mappings After Import

Avoid changing attribute mappings in connector configurations once you have run an initial import. If you do change the mapped attributes after initial import, it could cause significant performance impact, and you must run another import. However, CA GovernanceMinder cannot delete fields, so if you remove or rename a field, CA GovernanceMinder keeps the field with a blank value after the next import.

## Provisioning Role and User Management

All provisioning roles and users imported into CA GovernanceMinder from CA IdentityMinder must be managed through the Identity Manager User Console and *not* the Provisioning Manager. If you modify provisioning roles or delete users in the Provisioning Manager, you will not see those modifications in CA GovernanceMinder.

## Compliance Best Practices

With the recent addition of Policy Xpress in CA IdentityMinder, and now with the integration, you can set business compliance policies in different ways. When considering best practices, use the feature that allows for the greatest capabilities. We recommend the following:

- If you do not use Smart Provisioning in your CA IdentityMinder Environment, you can set compliance policies for User Tasks as follows:
  - New deployments: Use Policy Xpress
  - Existing deployments: Use Preventative Identity Policies
- If you are using Smart Provisioning in your CA IdentityMinder Environment, you can set compliance policies for User Tasks as follows:
  - Resource-level Segregation of Duties (SOD): Use CA GovernanceMinder Business Policy Rules (BPRs)
  - User attributes: Use Policy Xpress for new deployments, or Preventative Identity Policies for existing deployments.
  - Role Memberships: Use BPRs, Policy Xpress, or Preventative Identity Policies depending on preference.

The following table outlines requirements and capabilities for each CA IdentityMinder compliance policy option:

<b>Policy Option</b>	<b>Requires CA RCM and CA IdentityMinder?</b>	<b>Scope of policy checking</b>	<b>Checks compliance against unmanaged endpoints?</b>
Preventative Identity Policies	No	Roles	No
Business Policy Rules (BPRs)	Yes	Roles and Resources	Yes
Policy Xpress	No	Roles	No

## FIPS Compliance

When integrating CA GovernanceMinder with CA IdentityMinder, both systems must be FIPS-enabled, using the same FIPS key.

If both CA GovernanceMinder and CA IdentityMinder systems are FIPS-enabled, any notifications that CA IdentityMinder sends to CA GovernanceMinder using Continuous Update functionality is passed in clear text. To avoid sending information in clear text, set up SSL for both the CA GovernanceMinder system and the CA IdentityMinder system.

# Chapter 7: Troubleshooting

---

This section contains the following topics:

[Smart Provisioning](#) (see page 71)

[Continuous Update](#) (see page 72)

## Smart Provisioning

Consider the following when troubleshooting Smart Provisioning functionality:

- Request ID

The Request ID is a unique identifier that links a log message between CA IdentityMinder and CA GovernanceMinder logs. This request ID is present in both sets of logs for a compliance or role suggest request sent from CA IdentityMinder. The request ID has the following format:

`[COMPLIANCE | SUGGESTROLES]-envAlias-EventName-EventID`

Sample Request IDs for a Compliance and Suggest Request from CA IdentityMinder are as follows:

`COMPLIANCE-sp8demo-Modify User-aa7f94f1-f75a95c3-65df7de6-bebf0cb`

`SUGGESTROLES-sp8demo-Modify User-aa7f94f1-f75a95c3-65df7de6-bebf0cb`

- View Submitted Tasks (VST): Compliance Messages

All compliance violation messages sent from CA GovernanceMinder for a particular task (including bulk loader tasks) are recorded in VST.

- View Submitted Tasks (VST): Manage Bulk Loader Task Notifications
  - For details on this task, select the check box Show UnSubmitted Tasks during a VST search.
  - All details about the acknowledgment of the individual tasks associated with this bulk loader operation are in VST.
- Warning Messages for Role Suggest and Compliance

CA IdentityMinder displays warning messages under the following conditions when a role suggestion or compliance request is sent to CA GovernanceMinder:

  - Object is not Found in CA GovernanceMinder. The sample message displayed by CA IdentityMinder is as follows: "The following user was not found in CA RCM: mabre01"
  - Object does not match CA GovernanceMinder filter. The sample message displayed by CA IdentityMinder is as follows: "The following object does not match the filter in CA GovernanceMinder: babre01"
  - Account not assigned in CA GovernanceMinder. The sample message displayed by CA IdentityMinder is as follows: "The following Account was not assigned to any user in CA RCM: taban01"

## Continuous Update

Consider the following when troubleshooting Continuous Update functionality:

- View Submitted Tasks

Event history contains a message "Changes associated with this event were successfully queued on the continuous update queue to be sent to CA GovernanceMinder".
- Request ID

The Request ID is a unique Identifier that links a log message between CA IdentityMinder and CA GovernanceMinder logs. This request ID is present in both sets of logs for a Continuous Update notification request sent from CA IdentityMinder. The request ID has the following format:

```
CONTINUOUSUPDATE-<envAlias>-<EventName>-<EventID>
```

A sample Request ID for a Continuous Update notification is as follows:

```
CONTINUOUSUPDATE-sp8demo-AssignProvisioningRoleEvent-4c8b83c4-75d52262-3e883e88-2bf93853
```

- Log Messages related to the Analytics Queue
  - Log messages when the queue is being read.
  - Log messages when the Send Notifications is disabled.
  - Log messages when Send is Enabled.
  - Log messages when CA GovernanceMinder server is down.