

CA IDMS™ Dictionary Query Facility

User Guide

Release 18.5.00



This Documentation, which includes embedded help systems and electronically distributed materials, (hereinafter referred to as the "Documentation") is for your informational purposes only and is subject to change or withdrawal by CA at any time. This Documentation is proprietary information of CA and may not be copied, transferred, reproduced, disclosed, modified or duplicated, in whole or in part, without the prior written consent of CA.

If you are a licensed user of the software product(s) addressed in the Documentation, you may print or otherwise make available a reasonable number of copies of the Documentation for internal use by you and your employees in connection with that software, provided that all CA copyright notices and legends are affixed to each reproduced copy.

The right to print or otherwise make available copies of the Documentation is limited to the period during which the applicable license for such software remains in full force and effect. Should the license terminate for any reason, it is your responsibility to certify in writing to CA that all copies and partial copies of the Documentation have been returned to CA or destroyed.

TO THE EXTENT PERMITTED BY APPLICABLE LAW, CA PROVIDES THIS DOCUMENTATION "AS IS" WITHOUT WARRANTY OF ANY KIND, INCLUDING WITHOUT LIMITATION, ANY IMPLIED WARRANTIES OF MERCHANTABILITY, FITNESS FOR A PARTICULAR PURPOSE, OR NONINFRINGEMENT. IN NO EVENT WILL CA BE LIABLE TO YOU OR ANY THIRD PARTY FOR ANY LOSS OR DAMAGE, DIRECT OR INDIRECT, FROM THE USE OF THIS DOCUMENTATION, INCLUDING WITHOUT LIMITATION, LOST PROFITS, LOST INVESTMENT, BUSINESS INTERRUPTION, GOODWILL, OR LOST DATA, EVEN IF CA IS EXPRESSLY ADVISED IN ADVANCE OF THE POSSIBILITY OF SUCH LOSS OR DAMAGE.

The use of any software product referenced in the Documentation is governed by the applicable license agreement and such license agreement is not modified in any way by the terms of this notice.

The manufacturer of this Documentation is CA.

Provided with "Restricted Rights." Use, duplication or disclosure by the United States Government is subject to the restrictions set forth in FAR Sections 12.212, 52.227-14, and 52.227-19(c)(1) - (2) and DFARS Section 252.227-7014(b)(3), as applicable, or their successors.

Copyright © 2013 CA. All rights reserved. All trademarks, trade names, service marks, and logos referenced herein belong to their respective companies.

CA Technologies Product References

This document references the following CA Technologies products:

- CA ADS® for CA IDMS™
- CA IDMS™/DC Transaction Server Option
- CA IDMS™/DC Transaction Server Option or CA IDMS™ DatabaseUniversal Communications Facility Option

Contact CA Technologies

Contact CA Support

For your convenience, CA Technologies provides one site where you can access the information that you need for your Home Office, Small Business, and Enterprise CA Technologies products. At <http://ca.com/support>, you can access the following resources:

- Online and telephone contact information for technical assistance and customer services
- Information about user communities and forums
- Product and documentation downloads
- CA Support policies and guidelines
- Other helpful resources appropriate for your product

Providing Feedback About Product Documentation

If you have comments or questions about CA Technologies product documentation, you can send a message to techpubs@ca.com.

To provide feedback about CA Technologies product documentation, complete our short customer survey which is available on the CA Support website at <http://ca.com/docs>.

Contents

Chapter 1: How to Use This Manual 9

Related Products	9
Related Publications	10

Chapter 2: General Information 11

Locate and Examine Dictionary Contents Easily Online	11
Find Relationships Between Entities	11
A Tool for Every Database User	12
Special Features	13
Comprehensive Menus	13
Access to More Than One Dictionary	14
Knowledge of Dictionary Structure Not Required	14
Access to Any Detail Screen	15
Access to the Selection List	15
Session Suspension	15
A Typical DQF Query	17
How to Use CA IDMS DQF	17
Screen Access & Information	17
Environment	18

Chapter 3: The CA IDMS DQF Session 19

Finding Dictionary Information	19
Accessing Information Screens	19
PF Keys	20
Conceptual View	20
First Level	20
Second Level	20
Third Level	21
Special Functions	21
Automatically Saving Names and Version Numbers	22
OPTION Field	22
Commands	22
PF Keys	23
Steps Used to Find Information	23
Beginning the CA IDMS DQF Session	25
Accessing the Dictionary Entity Main Menu	26

Using the Menus	26
Accessing Another Dictionary or Node	27
Accessing a Second Level Menu	27
Accessing an Information Screen	28
Using the Selection List.....	30
Accessing the General Selection List.....	31
Accessing the Refined Selection List.....	31
Accessing Basic Information.....	32
OPTION Default	33
Returning to the Second Level Menu	33
Returning to the Dictionary Entity Main Menu	33
Typical Sequence of Events, Using Menu Selections.....	34
Transferring Directly to Any Information Screen (Jumping).....	34
Combination Code	35
Combination Codes Entered on the Dictionary Entity Main Menu.....	36
Typical Sequence of Screens Using Combination Codes	36
Returning to a Screen from Which You Transferred	37
Ending an CA IDMS DQF Session	40

Chapter 4: Screens 41

Dictionary Query Facility Entry Screen	42
Dictionary Entity Main Menu	43
Dictionary Entity Main Menu Options.....	43
Added Information.....	44
Typical Screens	46
Common Fields.....	46
Second Level Menu Screen	47
Basic Information Screen	47
Selection List Screen	48
Synonym Screen	49
Screen Access.....	49

Chapter 5: Operations 59

System Requirements.....	59
Terminal Type	59
Subschema	59
Security	59
Storage Requirements.....	59
Program Pool	60
Session Storage Pool.....	60
Scratch/Queue Area	60

Alternate Dictionary(ies).....60

Chapter 6: Messages 61

CA IDMS DQF Messages61

 Severity Codes61

Message Texts61

Glossary 65

Index 81

Chapter 1: How to Use This Manual

This guide is a reference tool that provides complete information on how to use the CA IDMS™ Database Dictionary Query Facility Option.

This guide is organized as follows:

Chapter	Description
2	General Information. Describes the features of CA IDMS DQF.
3	The CA IDMS DQF Session. Provides step-by-step procedures that show you how to use CA IDMS DQF. It guides you through a session, explains PF key functions, and shows several typical sequences of events.
4	Screens. Describes the fields on typical CA IDMS DQF screens and contains diagrams showing screen access for all entity types.
5	Operations. Provides information on system requirements and storage requirements.
6	Messages. Lists all messages generated by CA IDMS DQF. Also lists the codes for messages, gives reasons for their occurrences, and suggests remedial actions when appropriate.
Glossary	Describes all of the terms used on the CA IDMS DQF screens.

This section contains the following topics:

[Related Products](#) (see page 9)

[Related Publications](#) (see page 10)

Related Products

CA, Inc. products discussed in this manual are listed here. For ease of reference, both their full name and their abbreviated name are listed here; their abbreviated name is used in the rest of the manual.

Full Product Name	Abbreviated Product Name
CA-ADS® for CA IDMS™	CA ADS
CA IDMS™/DC Transaction Server Option	CA IDMS/DC

Full Product Name	Abbreviated Product Name
CA IDMS™/DC Transaction Server Option or CA IDMS™ Database Universal Communications Facility Option	DC/UCF

Related Publications

The following documents provide additional information related to the information contained in this manual. To order additional documentation, contact CA Technical Support.

Name	Contents
CA IDMS installation guides	Provide step-by-step instructions for installing, customizing, and maintaining CA IDMS.

Chapter 2: General Information

CA IDMS DQF gives you quick and easy online access to the contents of CA IDMS dictionaries. The menu structure of CA IDMS DQF allows you to find whatever information you need, without using complicated syntax. Cross-references are listed on the menus, eliminating a need for knowledge of dictionary structure. Instead of returning to menus to locate additional details, you can transfer directly (jump) between screens.

This section contains the following topics:

[Locate and Examine Dictionary Contents Easily Online](#) (see page 11)

[A Tool for Every Database User](#) (see page 12)

[Special Features](#) (see page 13)

[A Typical DQF Query](#) (see page 17)

[How to Use CA IDMS DQF](#) (see page 17)

[Screen Access & Information](#) (see page 17)

[Environment](#) (see page 18)

Locate and Examine Dictionary Contents Easily Online

CA IDMS DQF helps you find detailed information in an Integrated Data Dictionary (IDD) quickly and easily. Information about specific dictionary entities is available online. There is no longer a need to wait for batch reports about the dictionary. Because CA IDMS DQF is a query-only product, there is no possibility of unwarranted changes in the dictionary.

Developers, programmers, DBAs, analysts--any authorized users who need dictionary data--can readily examine the contents of each dictionary, without using complicated syntax. Menus guide you rapidly to specific information. Menus allow access to details and cross-references about each entity. Knowledge of dictionary structure is not required.

In addition to making choices from the menus, you can transfer directly to any detail or cross-reference screen. For example, after reviewing the definition of a specific dialog, you can jump directly to details about one of its records.

Find Relationships Between Entities

Using cross-references listed on menus, you can examine entity relationships whether or not you know dictionary structure. Thus, from the cross-reference list on the Dialog Menu, cross-reference screens are available, listing the dialog's records, maps, or processes.

A Tool for Every Database User

Everyone who uses the Integrated Data Dictionary can benefit from CA IDMS DQF. The following display illustrates some typical queries. With or without knowledge of IDD syntax or structure, you can find dictionary information easily by using the menus.

Developers or Programmers do not need special syntax to locate information. With CA IDMS DQF they can:

- Review existing entities before starting a new application
- Compare record definitions while developing an application
- Verify definitions
- Study effects of proposed modifications on other entities
- Determine the far reaching effects of changes in a data element or record
- Standardize applications.

Database Administrators (DBAs) can manage dictionaries more efficiently by accessing information online. Many tasks the DBA performs will benefit from easy access to facts from the dictionary. The DBA can use CA IDMS DQF to:

- Monitor entities being added to the IDD
- Manage schemas and subschemas
- Ensure that all systems and applications are documented
- Resolve conflicts such as similar names for elements
- Standardize routines.

System Analysts can analyze old and new systems faster. Online information from the IDD helps the analyst perform several different tasks:

- Analyze proposed changes to systems
- Determine if existing entities can be used for new systems
- Verify components to be turned over for migration
- Standardize system documentation.

What elements are in the record?

```

RECORD/ELEMENTS
NAME=> Record1  VER=> 1
Level      Length
Name       Start
Picture    S/P/U
Usage
  
```

What is the definition of ELEMENT1?

```

ELEMENT/BASIC INFO
NAME=> Element1  VER=> 1
Description
Picture
Usage
Date Prepared/Date Revised
  
```

Do RECORD1 and RECORD2 meet our standards?

```

RECORD/BASIC INFO
NAME=> Record1  VER=> 1
Prefix
Primary Record  Length
Description
Date Prepared/Date Revised
  
```

```

RECORD/BASIC INFO
NAME=> Record2  VER=> 2
Prefix
Primary Record  Length
Description
Date Prepared/Date Revised
  
```

What programs or dialogs use RECORD1?

```

RECORD/DIALOGS
NAME=> Record1  VER=> 1

Dialogs
Name Version Description
  
```

Exhibit 2.1: Typical Queries for CA IDMS DQF

Special Features

Several special features make CA IDMS DQF exceptionally easy to use.

Comprehensive Menus

All of the information screens can be accessed with menus. The Dictionary Entity Main Menu lists all of the second level menus. The following display illustrates the large variety of menus that are available. From a second level menu, you can select detail information about an entity or select cross-reference information for the entity.

Access to More Than One Dictionary

A choice of dictionaries and nodes is available on the Dictionary Entity Main Menu. You can examine an entity in one dictionary, return to the Dictionary Entity Main Menu, select another dictionary, and access information about a similar entity in the second dictionary.

Knowledge of Dictionary Structure Not Required

Knowledge of the relationships between entities in the dictionary is not necessary. Second level menus list cross-references to related entities. Specifying an entity name and version number and entering a simple code (such as REC for record) from a second level menu takes you to the next screen. For example, REC entered from the Dialog Menu (alone with the dialog name and version) calls up a Dialog/Record cross-reference screen.

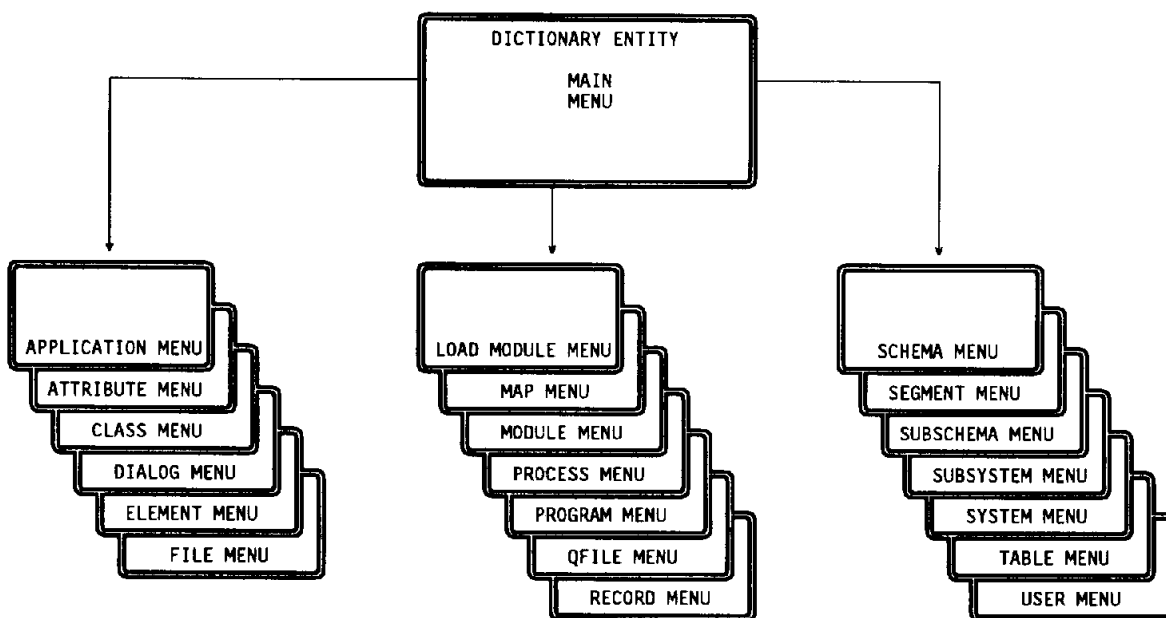


Exhibit 2.2: CA IDMS DQF Menus

Access to Any Detail Screen

As an alternative to accessing a detail information screen from a menu, you can transfer directly to the detail information screen, without going back to a menu. From each second level menu or detail information screen, it is easy to access any other detail information screen by entering a combination code (code.code) and specifying an entity name and version number. For example, the combine code REC.ELE calls up a Records/Elements cross-reference screen, which lists all the elements that make up the specified record, along with layout information. In the example illustrated below, the user jumped from Dialog/Records to Record/Elements to Element/Basic Information.

Access to the Selection List

A selection list, used to find out what entity names are in the dictionary, is available from these second-level menus:

- Dialog
- Map
- Module
- Process
- Program
- QFile
- Record
- Schema
- Subschema
- Table

The selection list is easily accessed by first accessing one of the listed second-level menus. From that menu, you can choose selection list (LST) from the detail options offered. Next, by choosing one of the entity names displayed in the selection list, basic information about that entity is displayed, and information about cross-reference entities (for example, dialogs and records related to that entity) can be quickly accessed.

Session Suspension

At the end of a session you may want to retain the current entity names so that later on it is possible to return quickly to the same information. If you leave a CA IDMS DQF session by using the END PF key from the Dictionary Entity Main Menu, the scratch records are not deleted and the currency of the entities examined is retained, as long as you stay in CA IDMS/DC. As a result, the most recently accessed entity names do not have to be entered the next time you access CA IDMS DQF.

```

DQF Rnn.nn  --- DIALOG / RECORDS  ----- CA, INC. hh:mm mm/dd/yy
OPTION ==> DIA.REC                      PAGE      1 OF  1

NAME  ==> ACDPAY12                      VERSION ==>  1

RECORD                                VER
ACWK001-DATE-TIME                     0100
ACWK001-MAP0100
ACWK000-PAY-GLOBAL                     0100
ACWK003-PAY-SCRATCH-CONTROL           0100
ACKW002-PAY-WORK                       0100
ADSO-APPLICATION-GLOBAL-RECORD        0001
ADSO-STAT-DEF-RECORD                  0001

          PF3= END  PF4= MAIN MENU  PF7= UP  PF8= DOWN
DQF Rnn.nn  --- RECORD / ELEMENTS  ----- CA, INC. hh:mm mm/dd/yy
OPTION ==> REC.ELE                      PAGE      1 OF 13

NAME  ==> ADSO-APPLICATION-GLOBAL-RECORD  VERSION ==>  1

LEVEL  NAME                                PICTURE      USAGE  LENGTH START  S/P/U
01     ADSO-APPLICATION-GLOBAL-RECORD      653
03     AGR-APPLICATION-NAME                X(8)         DISPLAY  8    1
03     AGR-CURRENT-FUNCTION                X(8)         DISPLAY  8    9
03     AGR-NEXT-FUNCTION                   X(8)         DISPLAY  8   17
03     AGR-CURRENT-RESPONSE                X(8)         DISPLAY  8   25
03     AGR-DEFAULT-RESPONSE                X(8)         DISPLAY  8   33
03     AGR-TASK-CODE                       X(8)         DISPLAY  8   41
03     AGR-EXIT-DIALOG                     X(8)         DISPLAY  8   49
03     AGR-PRINT-DESTINATION               X(8)         DISPLAY  8   57
03     AGR-DATE                            X(8)         DISPLAY  8   65
03     AGR-USER-ID                         X(32)        DISPLAY 32   73
03     AGR-SECURITY-CODE                   X(32)        DISPLAY 32  105
03     AGR-INSTALLATION-CODE               X(32)        DISPLAY 32  137
...CONTINUED

          PF3= END  PF4= MAIN MENU  PF7= UP  PF8= DOWN
DQF Rnn.nn  --- ELEMENT / BASIC INFO ----- CA, INC. hh:mm mm/dd/yy
OPTION ==> ele.bas                      PAGE      1 OF  1

NAME  ==> AGR-TASK-CODE                  VERSION ==>  1

DESCRIPTION      NAME OF TASK
PICTURE          X(8)
USAGE           DISPLAY
PREPARED        mm/dd/yy  BY  SMIJ001
REVISED         mm/dd/yy  BY  SMIJ001

          PF3= END  PF4= MAIN MENU  PF7= UP  PF8= DOWN

```

Exhibit 2.3: Jumping Directly from One Information Screen to Another

A Typical DQF Query

In an CA IDMS DQF session you can access any information screen by using the menus or by transferring directly to any detail information screen. Exhibit 1.4 illustrates a typical sequence of events for a user who is new to the facility.

The session begins at the Dictionary Entity Main Menu. From that menu the Record Menu is selected, and then the Record/Element cross-reference screen.

While viewing Record/Element cross-references, the user selects a specific element and transfers directly to basic information about that element.

From the Element/Basic Information screen the user jumps back to the Record/Element information by simply entering a combination code (REC.ELE) for the screen, because CA IDMS DQF remembers the current record name and version.

When enough information about specific elements is gathered, the user transfers to the RECORD/DIALOG cross-reference screen, to determine which dialogs use the record.

Pressing a PF key produces the Dictionary Entity Main Menu, showing all of the entities available for further selection.

How to Use CA IDMS DQF

Details of the steps used to access information using CA IDMS DQF are described in The CA IDMS DQF Session.

Screen Access & Information

An illustration of each screen type is in Screens. Descriptions of all the fields on the CA IDMS DQF screens are contained in the Glossary.

Environment

CA IDMS DQF operates under CA IDMS and CA ADS. It provides full -screen display on all IBM 3270-type terminals (models 2 through 5).

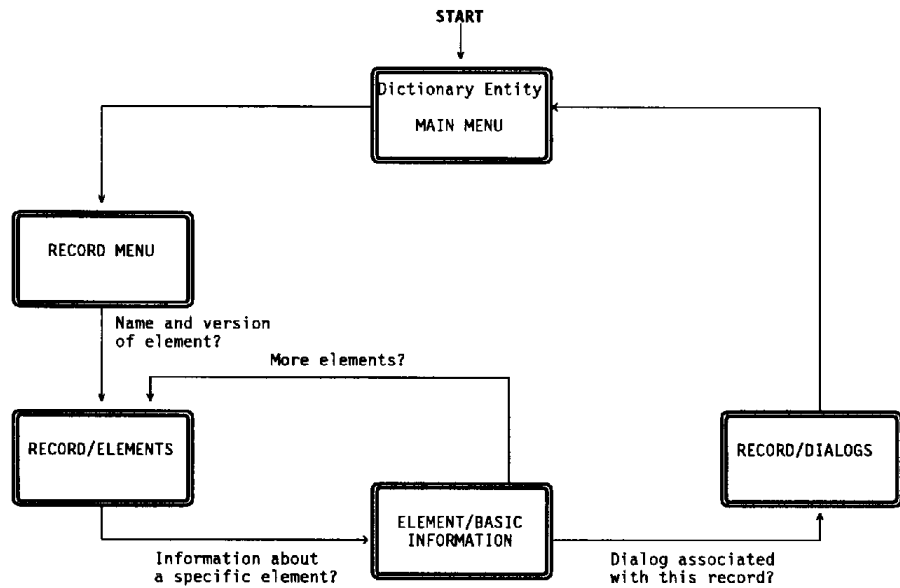


Exhibit 2.4: Sample Path to Find the Answer to a Query

Chapter 3: The CA IDMS DQF Session

This chapter discusses how to use CA IDMS DQF to find dictionary information and describes a typical CA IDMS DQF session.

This section contains the following topics:

[Finding Dictionary Information](#) (see page 19)

[Conceptual View](#) (see page 20)

[Special Functions](#) (see page 21)

[Steps Used to Find Information](#) (see page 23)

[Beginning the CA IDMS DQF Session](#) (see page 25)

[Using the Menu](#) (see page 26)

[Transferring Directly to Any Information Screen \(Jumping\)](#) (see page 34)

[Ending an CA IDMS DQF Session](#) (see page 40)

Finding Dictionary Information

CA IDMS DQF provides easy access to detail information and cross-reference information about entities in the dictionary. Because CA IDMS DQF is a query-only product, access can be made available to many users without any possibility of unwarranted changes in dictionary entities.

Accessing Information Screens

To access information screens (cross-reference or detail), you can select options from second level menus or you can transfer directly.

In an CA IDMS DQF session, you can select options from the CA IDMS DQF menus and specify entity names and version numbers. All information screens are accessible by selecting options from those listed on the menu.

Another method of accessing information screens is to enter combination codes that allow direct transfer between screens; that is, you can jump directly to any information screen from any other screen by using a combination code (*code.code*).

This chapter includes several typical sequences of screens which illustrate the use of menus and combination codes.

PF Keys

The use of Program Function (PF) keys is also described in this chapter. PF keys are set to transfer quickly to higher level screens and to page up and down through a series of screens.

Conceptual View

A conceptual view of CA IDMS DQF is shown in Exhibit 2.1. After the Dictionary Query Facility entry screen, there are three functional levels.

First Level

The Dictionary Entity Main Menu appears when you press Enter from the Dictionary Query Facility entry screen. The Dictionary Entity Main Menu displays a list of dictionary entities. You can proceed to the second level menu from the list, or you can jump to the third (detail) level.

At the first level you can also specify a dictionary name and/or a node name. If these names are not specified, the default dictionary is accessed.

Second Level

A second level menu displays a list of detail options and cross-reference options for the entity selected from the Dictionary Entity Main Menu. From a second level menu, you can display the detail information screen or a selection list.

Direct Transfer--Alternatively, you can proceed from a second level menu direction to any detail information screen. See [Transferring Directly to Any Information Screen \(Jumping\)](#) (see page 34).

Third Level

Detail information screens and selection list screens are at the third level. A detail information screen contains either specific data about an entity or cross-reference information relating the entity to other entities in the dictionary. A selection list screen provides a list of the entity occurrences appearing in the dictionary for a given entity.

Direct Transfer--From each detail information screen or selection list screen, you can jump to any other detail level screen by using combination codes. See [Transferring Directly to Any Information Screen \(Jumping\)](#) (see page 34).

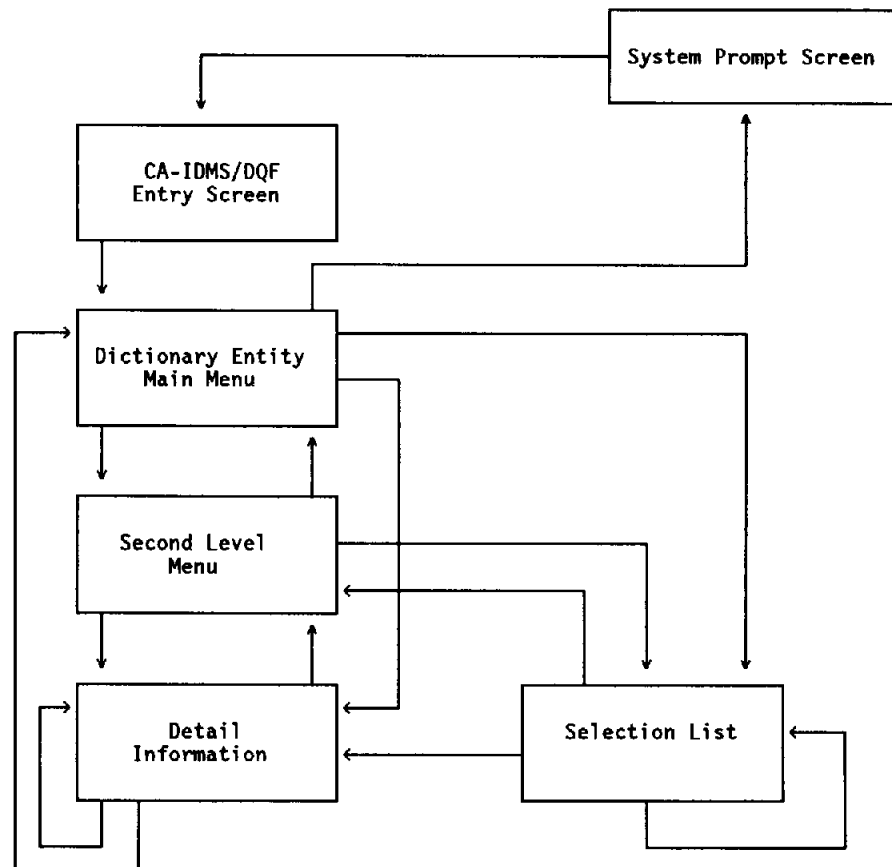


Exhibit 3.1: Conceptual View of CA IDMS DQF

Special Functions

CA IDMS DQF performs several functions that help you find information quickly. Current names and version numbers are saved automatically. Other functions are activated by entering a command in the OPTION field or by pressing a PF key.

Automatically Saving Names and Version Numbers

CA IDMS DQF automatically saves the current name and version number of each entity accessed. Therefore, you can return to the most recently accessed entity of a given type without entering the name and version again. Of course, if you enter a new name and version number along with an option code, information about the newly named entity is displayed.

If you use the END PF key to leave CA IDMS DQF from the Dictionary Entity Main Menu, the most recent names and version numbers are retained until you sign off of CA IDMS/DC.

OPTION Field

Near the top left of each screen is the OPTION field. You can enter commands or screen codes in the OPTION field. To delete unwanted characters in the OPTION field, use the ERASE END OF FILE (ERASE EOF) key, the DELETE key, or the spacebar.

Commands

Several commands can be entered in the OPTION field: BYE, RETURN, UP, and DOWN.

BYE

The BYE command returns the system to the CA IDMS/DC system prompt.

RETURN

The RETURN command takes you to the Dictionary Entity Main Menu from the second or third level.

UP and DOWN

On a detail information screen, when the display indicates that it is one of several pages (for example, PAGE 1 of 8), you can use the UP and DOWN commands to view the other pages.

The UP command moves the physical "window" (your terminal screen) one page up toward the first page of the display.

The DOWN command moves the "window" one page toward the last page of the display.

PF Keys

Program Function (PF) keys are set to help you move easily to higher level screens or to scroll within a series of screens when there is more than one screen of data.

Key	Function	
PF3 or PF15	END	<p>Exit to the next higher level of processing:</p> <p>Exit to task code from the Dictionary Entity Main Menu.</p> <p>Exit to the Dictionary Entity Main Menu from a second level menu.</p> <p>Exit to a second level menu from a detail screen.</p> <p>Examples:</p> <p>From Record/Element screen, exit to Record Menu screen.</p> <p>From Dialog/Map screen, exit to Dialog Menu screen.</p>
PF4 or PF16	RETURN	Return to Dictionary Entity Main Menu from third level (detail or second level (menu)).
PF7 or PF19	UP	Move the "window" one page toward the first page of the current display. Detail information screens indicate the current page and the number of pages in the series.
PF8 or PF20	DOWN	Move the "window" one page toward the last page of the current display. Detail information screens indicate the current page and the number of pages in the series.

Steps Used to Find Information

The following table lists the steps required to find information in the dictionary. The steps are described in detail in the rest of this chapter.

User Action	System Response	For More Information See--
1. Invoke CA IDMS/DC	System Prompt Screen	Beginning the CA IDMS DQF Session
2. Enter the CA IDMS DQF Task Code	Dictionary Query Facility Entry Screen	Beginning the CA IDMS DQF Session

User Action	System Response	For More Information See--
3. Press Enter	Dictionary Entity Main Menu	Beginning the CA IDMS DQF Session
4. Request a second level menu. Enter: 3-letter option code Optional: dictionary name node name	Second level menu	Using the Menus
5. Request a detail information screen (including the Selection List) using a menu option. Enter: 3-letter code of detail option or cross-reference option Entity name (if applicable) Entity version number (if applicable)	Entity detail or cross-reference information	Using the Menus
Alternate Steps 4 or 5. Request a detail information screen using a combination code. Enter: Combination code (code.code) Entity name Entity version number (if applicable)	Entity detail or cross-reference information	Transferring Directly to Information Screen
6. Continue using menus and combination codes until you have completed the session.		Using the Menus or Transferring Directly
7. Exit from CA IDMS DQF	System Prompt Screen	Ending the CA IDMS DQF Session

Exhibit 3.3: Steps to Find Information

Beginning the CA IDMS DQF Session

Before starting to use CA IDMS DQF, you must invoke the system prompt screen of CA IDMS/DC. If you need information on how to do this, see your system administrator.

Enter the CA IDMS DQF task code.

The Dictionary Query Facility entry screen displays.

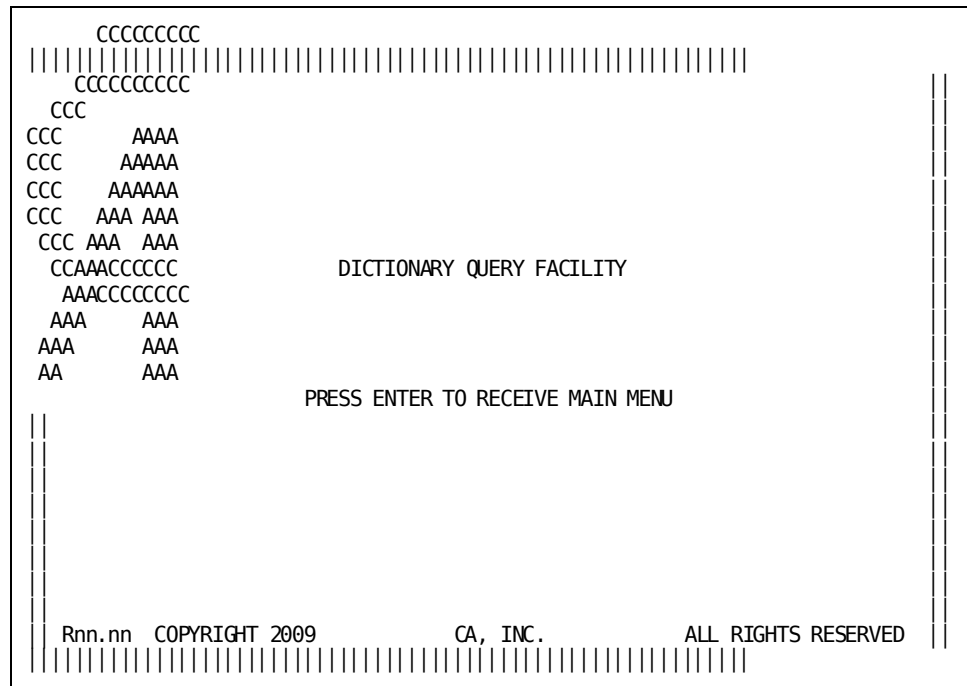


Exhibit 3.4: Dictionary Query Facility Entry Screen

Accessing the Dictionary Entity Main Menu

When the Dictionary Query Facility entry screen is displayed, press Enter.

The Dictionary Entity Main Menu displays.

```
DQF Rnn.nn --- DICTIONARY ENTITY MAIN MENU ----- CA, INC. hh:mm mm/dd/yy
OPTION ==>

DICTIONARY ==> SYSDICT                NODE ==>

MENU
OPTIONS
-----
APP APPLICATION      LOA LOAD MODULE      SCH SCHEMA
ATT ATTRIBUTE        MAP MAP              SEG SEGMENT
CLA CLASS           MOD MODULE           SSC SUBSCHEMA
DIA DIALOG          PRC PROCESS         SUB SUBSYSTEM
ELE ELEMENT         PRO PROGRAM         SYS SYSTEM
FIL FILE            QFI QFILE           TAB TABLE
                   REC RECORD         USE USER

PF3= EXIT DQF
```

Exhibit 3.5: Dictionary Entity Main Menu Screen

Using the Menus

You can access all information screens by selecting options listed on the menus and specifying entity names and version numbers when they are required. This section describes how to find information in the dictionary by using selections listed on the menu and how to return to a higher level. The alternate method of accessing information screens is described in [Transferring Directly to Any Information Screen \(Jumping\)](#) (see page 34).

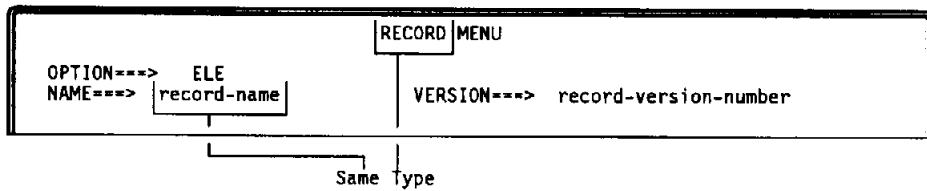
Accessing an Information Screen

To access a detail or cross-reference information screen from a second level menu, type:

- A three-letter code in the OPTION field (from the codes listed on the second level menu screen);
- The name of an entity in the NAME field if you requested BAS or SYN in the OPTION field; and
- The version number of the entity in the VERSION field (if a version number is applicable).

Press Enter. The RECORD/ELEMENTS cross-reference screen displays.

The following display shows an alphabetical list of the dictionary entities, with their codes in the left column. The options on each second level menu are also listed under Valid Choices in the exhibit.



```

DQF Rnn.nn --- RECORD / ELEMENTS ----- CA, INC. hh:mm mm/dd/yy
OPTION ==> REC.ELE                               PAGE 1 OF 13

NAME ==> ADSO-APPLICATION-GLOBAL-RECORD          VERSION ==> 1

LEVEL NAME                PICTURE        USAGE  LENGTH START S/P/U
01  ADSO-APPLICATION-GLOBAL-RECORD          653
03  AGR-APPLICATION-NAME      X(8)      DISPLAY  8    1
03  AGR-CURRENT-FUNCTION      X(8)      DISPLAY  8    9
03  AGR-NEXT-FUNCTION         X(8)      DISPLAY  8   17
03  AGR-CURRENT-RESPONSE     X(8)      DISPLAY  8   25
03  AGR-DEFAULT-RESPONSE     X(8)      DISPLAY  8   33
03  AGR-TASK-CODE             X(8)      DISPLAY  8   41
03  AGR-EXIT-DIALOG          X(8)      DISPLAY  8   49
03  AGR-PRINT-DESTINATION    X(8)      DISPLAY  8   57
03  AGR-DATE                  X(8)      DISPLAY  8   65
03  AGR-USER-ID               X(32)     DISPLAY 32   73
03  AGR-SECURITY-CODE        X(32)     DISPLAY 32  105
03  AGR-INSTALLATION-CODE    X(32)     DISPLAY 32  137
...CONTINUED

PF3= END  PF4= MAIN MENU  PF7= UP  PF8= DOWN

```

Exhibit 3.7: Accessing an Information Screen

Main Menu	Entity	Description	Detail	Cross-Reference
Selection				
APP	APPLICATION		BAS	
ATT	ATTRIBUTE		BAS	ELE FIL MOD PRO QFI REC
CLA	CLASS		BAS	
DIA	DIALOG		BAS LST	MAP PRC REC
ELE	ELEMENT		BAS SYN	MAP REC
FIL	FILE		BAS	REC
LOA	LOAD MODULE		BAS	
MAP	MAP		BAS LST	DIA ELE REC TAB
MOD	MODULE		BAS LST	PRO
PRC	PROCESS		BAS LST	DIA
PRO	PROGRAM		BAS LST	FIL MOD PRO REC
QFI	QFILE		BAS LST	
REC	RECORD		BAS LST SYN	DIA ELE FIL MAP PRO SSC
SCH	SCHEMA		BAS LST	ARE REC SET SSC
SEG	SEGMENT		BAS	ARE DIA FIL
SSC	SUBSCHEMA		BAS LST	DIA LRF PRO REC USE
SUB	SUBSYSTEM		BAS	
SYS	SYSTEM		BAS	
TAB	TABLE		BAS LST	
USE	USER		BAS	

Exhibit 3.8: Option Codes and Valid Combination Choices

Additional Detail and Cross-Reference Option Descriptions:

- ARE AREAS
- BAS BASIC INFORMATION Default option from second level menu
- LRF LOGICAL RECORDS
- LST SELECTION LIST
- SET SETS
- SYN SYNONYMS

Commands:

- BYE (clears CA IDMS DQF scratch records)
- RETURN
- UP
- DOWN

To jump to any information screen, enter:

code.code name version

Using the Selection List

A selection list (LST) information screen is available from these second level menus:

- Dialog
- Map
- Module
- Process
- Program
- QFile
- Record
- Schema
- Subschema
- Table

Accessing the General Selection List

You can access either a general selection list or a refined selection list. The general selection list provides a list of **all** names appearing in the dictionary for the specified entity. The refined version of the selection list provides only the entity names that include certain characters.

To access a general selection list from the second level menus listed above:

1. Type **LST** in the OPTION field.
2. Press the ERASE EOF key in the NAME field to ensure that the NAME field is blank.
3. Press Enter.

The selection list appears containing a list of **all** names in the dictionary for that entity.

Accessing the Refined Selection List

You can access a refined version of the selection list that lists only entity names that include certain characters. In the NAME field, you can enter a partial entity name and any or all of the characters used to match alphanumeric characters.

- @ matches any alphabetic character
- # matches any numeric character
- * matches any character

Any one or all of these characters are used to replace characters in the NAME field. For example:

DQF***## in the NAME field indicates that you want a selection list that includes only those entity names beginning with DQF, followed by three alphanumeric characters, and with numeric characters in the last two positions.

@@@***## in the NAME field indicates that you want a selection list that includes those entity names beginning with any three alphabetic characters, followed by three alphanumeric characters, and ending with two numeric characters.

Any spaces in the middle of the NAME field remain spaces. Spaces at the end of the NAME field are filled with asterisks (**). For example:

DQF ##### entered in the NAME field finds those entity names that include the characters DQF in the first three positions, followed by one space, and ending with four numeric characters.

To access the refined selection list:

1. Type **LST** in the OPTION field.
2. Type the characters for a partial name, or include the characters used to match unspecified characters (@, #, or *) in the NAME field.
3. Press Enter.

The selection list appears containing a list of all names for that entity that match the specified characters.

Accessing Basic Information

To access basic information from either the general selection list or the refined selection list:

1. Place the cursor to the left of an entity name.
2. Type any character.
3. Press Enter.

The basic information screen describing the selected entity name appears.

```
DQF Rnn.nn --- SUBSCHEMA SELECTION ----- CA, INC. hh:mm mm/dd/yy
OPTION ==>                                     PAGE 1 OF 2

NAME ==> DQF***##                               VERSION ==>

  NAME      SCHEMA      VER
  DQFSUB00  DQFSCHEM    0001
s DQFSUB01  DQFSCHEM    0001
DQF Rnn.nn --- SUBSCHEMA / BASIC INFO ----- CA, INC. hh:mm mm/dd/yy
OPTION ==>                                     PAGE 1 OF 1

NAME ==> DQFSUB01                               VERSION ==> 1

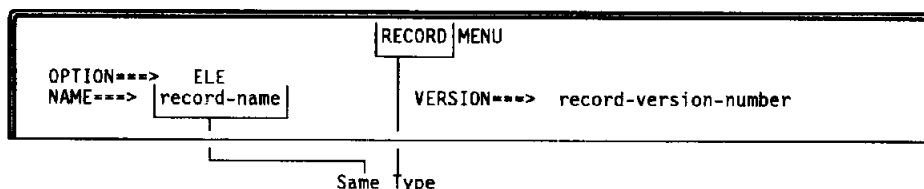
SCHEMA      DQFSCHEM    VER    0001
DMCL
LAST COMPILED      mm/dd/yy
TIME STAMP         34546789
AUTHORIZATION      N
ERROR FLAG         Y
LRF ACCESS FLAG    N
SPF FLAG           N

PF3= END  PF4= MAIN MENU  PF7= UP  PF8= DOWN
```

Exhibit 3.9: Accessing Basic Information Example

OPTION Default

On a second level menu, if you enter only the entity name and version number, and leave the OPTION field blank, the entity Basic Information screen displays.



```

DQF Rnn.nn --- RECORD / BASIC INFO ----- CA, INC. hh:mm mm/dd/yy
OPTION ==>                                     PAGE 1 OF 1

NAME ==> ADS0-APPLICATION-GLOBAL-RECORD          VERSION ==> 1

PREFIX
PRIMARY RECORD      ADS0-APPLICATION-GLOBAL-RECORD      VERSION:0001
DESCRIPTION
RECORD LENGTH      0000000653
PREPARED           mm/dd/yy      BY NORKE02
REVISED           BY
  
```

PF3= END PF4= MAIN MENU PF7= UP PF8= DOWN

Exhibit 3.10: OPTION Default Example

Returning to the Second Level Menu

To return to a second level menu from an information screen press PF3/15.

Returning to the Dictionary Entity Main Menu

To return to the Dictionary Entity Main Menu, press PF4/16.

Typical Sequence of Events, Using Menu Selections

A typical sequence of events using menu selections is shown below. The query:

- What is the description of a record in the dialog Dialog1 (version 1) and what are the elements in that record?
- The spelling and the version number of the record are verified by accessing the Dialog/Record cross-reference screen first.

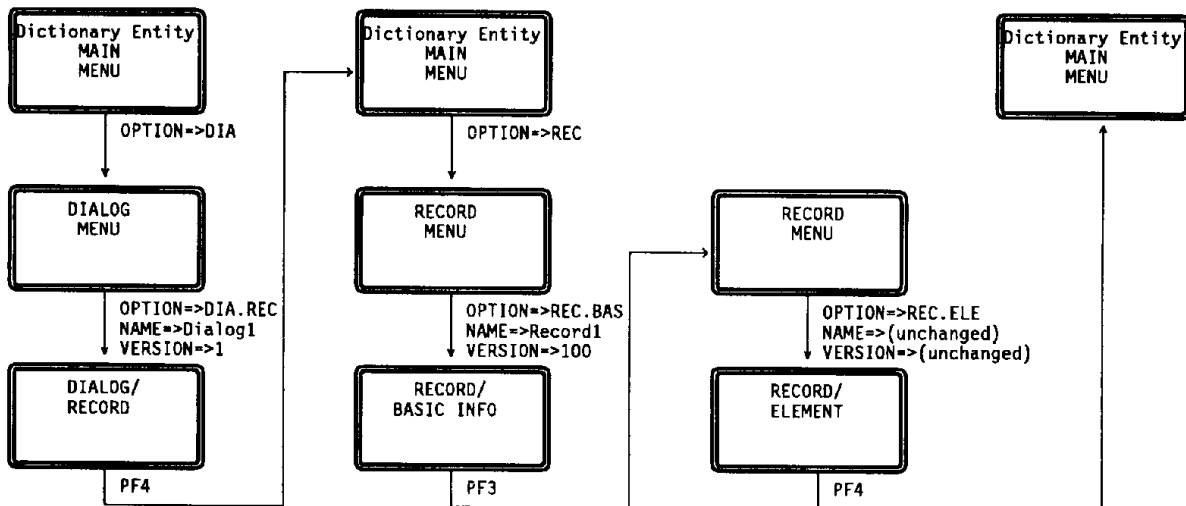


Exhibit 3.11: Typical Sequence of Events Using Menus

Transferring Directly to Any Information Screen (Jumping)

To transfer directly to a particular detail information screen without accessing other menus, use combination codes, as described below.

From any second level menu or detail screen, to access another detail screen, type:

- The combination code (defined below) in the OPTION field.
- The entity name in the NAME field. The entity named must be of the **same type** as the first part of the combination code.
- The entity version number in the VERSION field.

Press Enter.

Combination Code

The combination code consists of three parts:

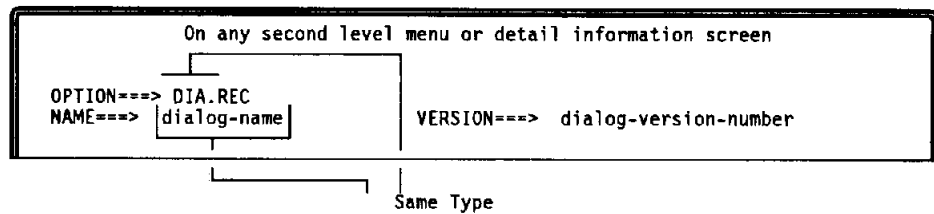
- The code of a main menu selection (option-1-code).
- A period
- The code of a valid combination option (option-2-code).

No spaces are allowed in a combination code.

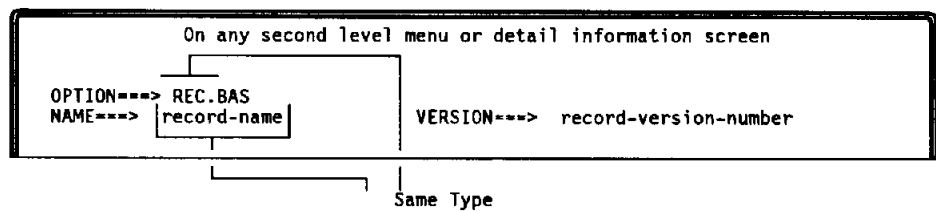
Valid choices for combinations are indicated in the following table. Choose either a detail option or a cross-reference option, not both.

The exhibit below shows the entries for each field required to access a detail information screen directly.

Field	Entry	Example
OPTION	option-1-code.option-2-code	REC.ELE
NAME	option-1-name	ACWK001-DATE-TIME
VERSION	option-1-version-number	100



- Type the indicated information and press Enter.
- The Dialog/Record cross-reference screen displays for the specified dialog name and version number.



- Type the indicated information and press Enter.
- The Record/Basic Information screen displays for the specified record.

Combination Codes Entered on the Dictionary Entity Main Menu

You can enter a combination code on the Dictionary Entity Main Menu. If there is a current name and version for the selection, the system displays the requested detail information.

If there is no current name and version, you can type a name and version at the detail level and press Enter.

Typical Sequence of Screens Using Combination Codes

The exhibit below shows a typical sequence of screens accessed by combination codes to answer the same question that was asked for Option Defaults.

The query:

- What is the description of a record in the dialog Dialog1 (version 1) and what are the elements in that record?
- The spelling and the version number of the record are verified by accessing the Dialog/Record cross-reference screen first.

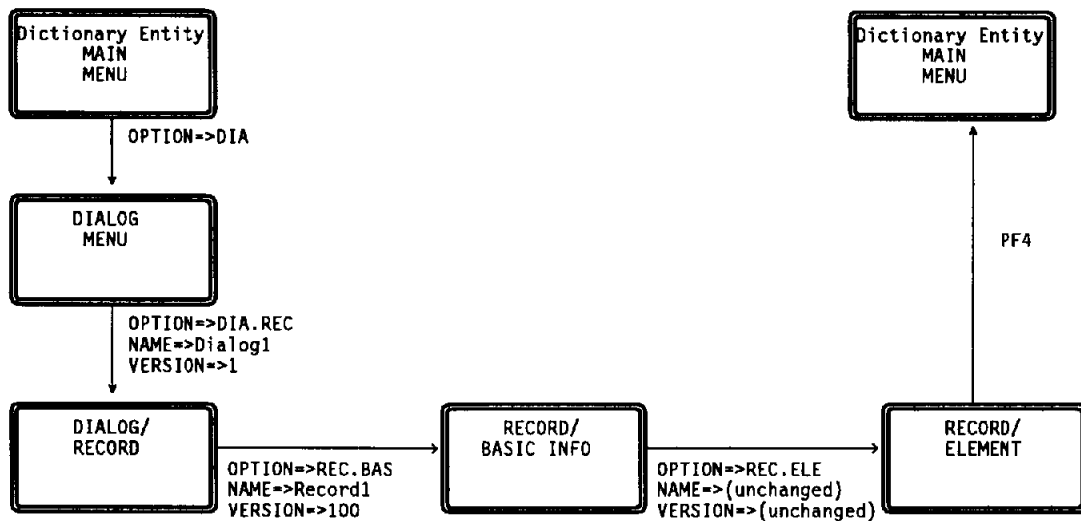


Exhibit 3.13: Typical Sequence of Events Using Combination Codes

Returning to a Screen from Which You Transferred

Sometimes you may want to return to a detail information screen that you left by a jump. For instance, you might want to go back to check a version number on the previous screen. But PF3 would take you up a level to a second level menu for the current entity.

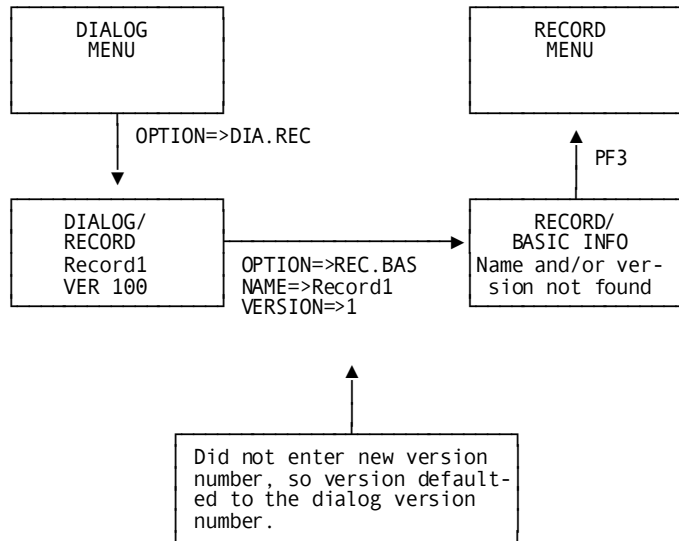
The situation is illustrated above. After finding the name of the record on the Dialog/Record cross-reference screen, the user entered REC.BAS and the name, leaving the version number displays unchanged. The Record/Basic Information screen appeared with a message. The user wanted to return to the Dialog/Record cross-reference screen to check the spelling of the record name and check the version number, because the system displayed the message:

NAME AND/OR VERSION NOT FOUND

Like the user described above, you may want to return to a previous screen. Whether you are still at the detail level, or you have pressed PF3 and you are at the menu level, you can transfer directly to the previous detail screen to verify the name and the version number. To access the previous screen, transfer directly by typing:

- The combination code (*code.code*) in the OPTION field.
- The name of the entity (same type as first part of combination code) in the NAME field.
- The entity version number in the VERSION field.

Press Enter.



To return to Dialog/Record from either Record/Basic Information or Record Menu, transfer directly.

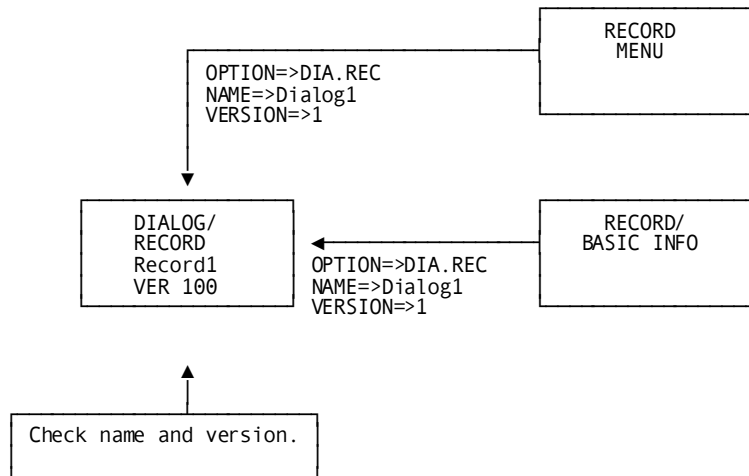


Exhibit 3.14: Returning to a Previous Display

Ending an CA IDMS DQF Session

To leave CA IDMS DQF from any screen, type BYE in the OPTION field and press Enter. The system returns to the CA IDMS/DC prompt.

The END PF keys (PF3/15) can also be used to leave CA IDMS DQF from the Dictionary Entity Main Menu.

When you leave by using the END PF key, the most recent name and version of each entity accessed in the current session is saved. The current names and version numbers are retained until you leave CA IDMS/DC.

Chapter 4: Screens

This chapter contains descriptions of the screens in CA IDMS DQF

First, the Dictionary Query Facility entry screen is shown. Next is the Dictionary Entity main Menu, followed by a chart showing all the options available. Also included are descriptions of the fields on second level menu screens and detail information screens. Finally, diagrams showing screen access for all the entity types are shown in alphabetical order.

The terms used on the detail information screens are explained in the Glossary.

For a general discussion of how to access screens, see [The CA IDMS DQF Session](#) (see page 19).

This section contains the following topics:

[Dictionary Query Facility Entry Screen](#) (see page 42)

[Typical Screens](#) (see page 46)

[Screen Access](#) (see page 49)

Dictionary Query Facility Entry Screen

After you enter the task code for CA IDMS DQF, the system displays the Dictionary Query Facility entry screen.

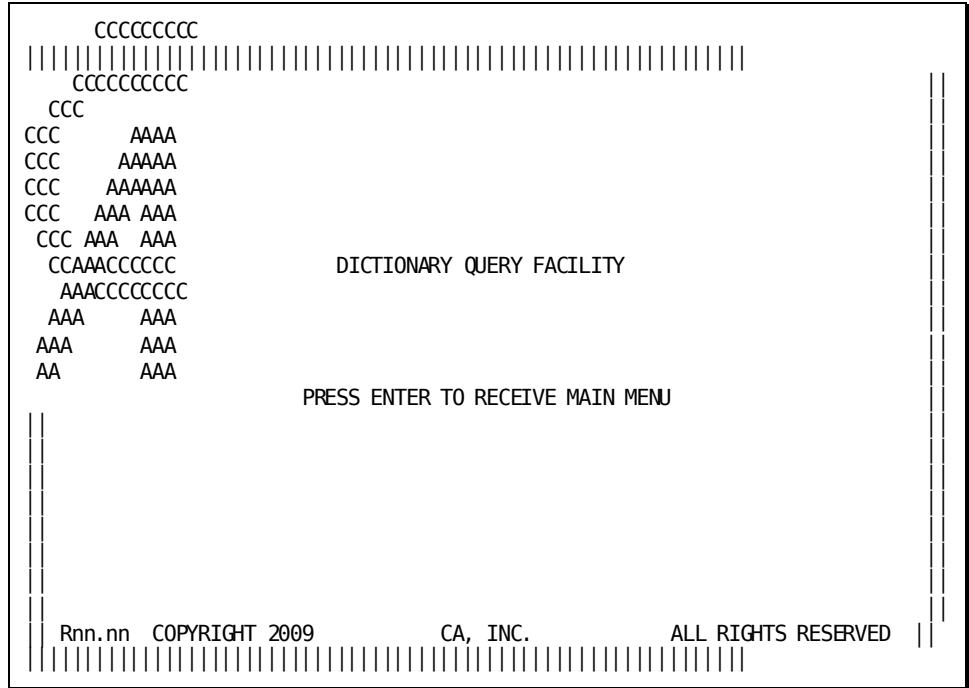


Exhibit 4.1: Dictionary Query Facility Entry Screen

Dictionary Entity Main Menu

The Dictionary Entity Main Menu screen is shown below.

OPTION

Enter the three-letter code of any of the options listed on the menu, or a combination code (*code.code*) for a detail information screen.

DICTIONARY

Enter the name of the dictionary you want to access.

Default: The current dictionary for your terminal.

NODE

Multiple machine environments only. Enter the name of a DDS node that is the communication link between central versions and CPUs. By identifying the DDS node, you can access a dictionary that exists in a CPU or region other than the one in which CA IDMS DQF is processing.

Default: The node in which CA IDMS DQF is processing.

```

DQF Rnn.nn --- DICTIONARY ENTITY MAIN MENU ----- CA, INC. hh:mm mm/dd/yy
OPTION ==>

DICTIONARY ==> SYSDICT                NODE ==>

MENU
OPTIONS
-----
APP APPLICATION      LOA LOAD MODULE      SCH SCHEMA
ATT ATTRIBUTE        MAP MAP              SEG SEGMENT
CLA CLASS            MOD MODULE           SSC SUBSCHEMA
DIA DIALOG           PRC PROCESS          SUB SUBSYSTEM
ELE ELEMENT          PRO PROGRAM          SYS SYSTEM
FIL FILE             QFI QFILE            TAB TABLE
REC RECORD           REC RECORD           USE USER

PF3= EXIT DQF

```

Exhibit 4.2: Dictionary Entity Main Menu Screen

Dictionary Entity Main Menu Options

The options available from the main menu are illustrated in the following illustration. The combination codes for the detail screens are shown.

Added Information

When you specify a cross-reference, the system may show more information than you expected. For example, when you specify REC.PRO (Record/Programs), the system displays information about programs that are related to the record. The display may also show dialogs that are identified as programs with the same builder code. The extra information is included because CA IDMS DQF examines the dictionary builder code to classify entities.

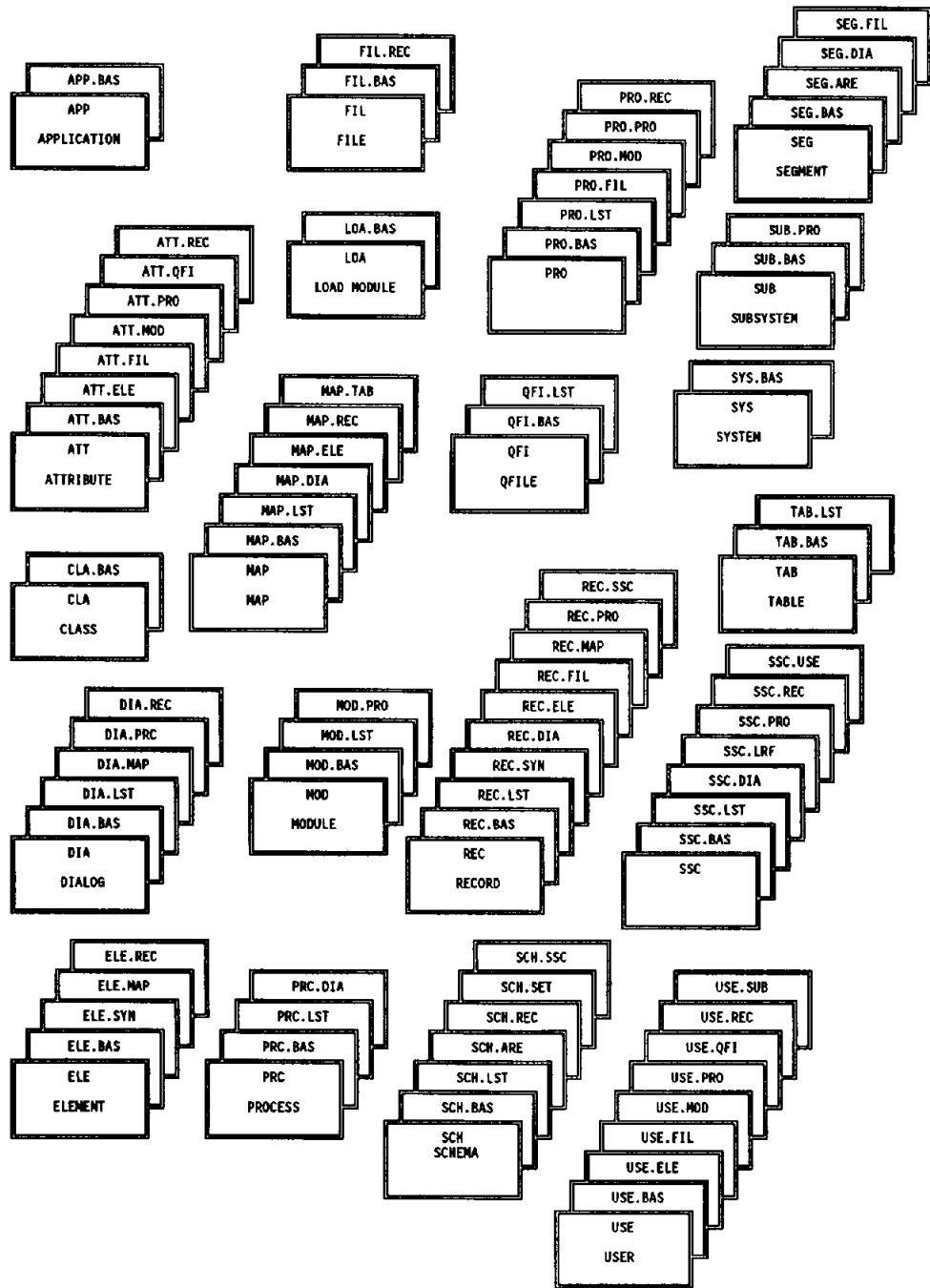


Exhibit 4.3: Options

Typical Screens

Common Fields

Below are descriptions of fields common to second level menu and detail option screens.

Release Number

The version of CA IDMS DQF that is installed in your environment.

Screen Title

Current Time

In the format hh:mm where hh represents the hour on a 24-hour clock and mm represents the minutes.

Current Date

In for the format mm/dd/yy where mm represents the month, dd represents the date of the month, and yy represents the year.

OPTION

The field in which you can enter either a menu selection, a combination code that represents an information screen title, or a special function.

Message Area

The message area is below the OPTION field. For an explanation of each message, see Messages.

NAME

The field in which you can enter the name of a specific entity.

VERSION

The field in which you can enter the version number of the entity specified in the NAME field.

PF Keys

Functions of PF keys available from the current screen are shown at the bottom of the screen.

Second Level Menu Screen

Detail Options

Screens that show detailed information specified to the entity named in the NAME field.

Cross-Reference Options

Screens that list entities related to the entity named in the NAME field.

Basic Information Screen

Detailed Entity Information

Details specific to the named entity.

PAGE

The page number of the screen in a series, and the total number of pages in the series.

```

DQF Rnn.nn --- RECORD MENU ----- CA, INC. hh:mm mm/dd/yy
OPTION ==>

NAME ==>                                VERSION ==> 1

DICTIONARY ==> ADSDICT                    NODE ==>

  DETAIL                                CROSS-REFERENCE
  OPTIONS                                OPTIONS
-----
BAS BASIC INFO                          DIA DIALOGS                SSC SUBSCHEMAS
LST SELECTION LIST                      ELE ELEMENTS
SYN SYNONYMS                            FIL FILES
                                          MAP MAPS
                                          PRO PROGRAMS

PF4= MAIN MENU
    
```

Exhibit 4.4: Typical Second Level Menu Screen

```

DQF Rnn.nn --- DIALOG / BASIC INFO ----- CA, INC. hh:mm mm/dd/yy
OPTION ==>                                     PAGE 1 OF 1

NAME ==> DADQDDQF                               VERSION ==> 1

DESCRIPTION      ADS DIALOG
LAST COMPILED    mm/dd/yy
PREPARED         mm/dd/yy      BY SMIJ002
REVISED         mm/dd/yy      BY
SUBSCHEMA       IDMSNWKA

PF3= END   PF4= MAIN MENU   PF7= UP   PF8= DOWN
    
```

Exhibit 4.5: Typical Entity Basic Information Screen

Selection List Screen

Entity Occurrence Name

The names of the specific occurrences of the entity chosen on the second level menu screen that match the characters appearing in the NAME field.

PAGE

The page number of the screen in a series, and the total number of pages in the series.

```

DQF Rnn.nn --- SUBSCHEMA SELECTION ----- CA, INC. hh:mm mm/dd/yy
OPTION ==>                                     PAGE 1 OF 2

NAME ==> DQF***##                               VERSION ==>

NAME      SCHEMA      VER
DQFSUB00  DQFSCHEM      0001
DQFSUB01  DQFSCHEM      0001
DQFSUB02  DQFSCHEM      0001
DQFSUB03  DQFSCHEM      0001
DQFSUB04  DQFSCHEM      0001
DQFSUB05  DQFSCHEM      0001
DQFSUB06  DQFSCHEM      0001
DQFSUB07  DQFSCHEM      0001
DQFSUB08  DQFSCHEM      0001
DQFSUB09  DQFSCHEM      0001
DQFSUB10  DQFSCHEM      0001
DQFSUB11  DQFSCHEM      0001
DQFSUB12  DQFSCHEM      0001
DQFSUB13  DQFSCHEM      0001
DQFSUB14  DQFSCHEM      0001
...CONTINUED

PF3= END   PF4= MAIN MENU   PF7= UP   PF8= DOWN
    
```

Exhibit 4.6: Typical Entity Selection List Screen

Synonym Screen

SYNONYM Names

Alternate names for the entity (record or element) chosen on the second level menu screen.

PAGE

The page number of the screen in a series, and the total number of pages in the series.

```

DQF Rnn.nn --- RECORD / SYNONYMS ----- CA, INC. hh:mm mm/dd/yy
OPTION ==>                                     PAGE 1 OF 1

NAME ==> DATE-TIME                               VERSION ==>

SYNONYM      VER  PREFIX
ACWK001-DATE-TIME  0001  PRIMARY
DATE-TIME      0100
CURRENT-DATE-TIME  0001
W001-DATE-TIME  0100  W001-

PF3= END  PF4= MAIN MENU  PF7= UP  PF8= DOWN

```

Exhibit 4.7: Typical Entity Synonym Screen

Screen Access

This section contains diagrams which show screen access for the following entity types:

- Application
- Attribute
- Class
- Dialog
- Element
- File
- Load Module
- Map
- Module

- Process
- Program
- QFile
- Record
- Subschema
- Segment
- Schema
- Subsystem
- System
- Table
- User

The combination code (*code.code*) is shown for each screen.

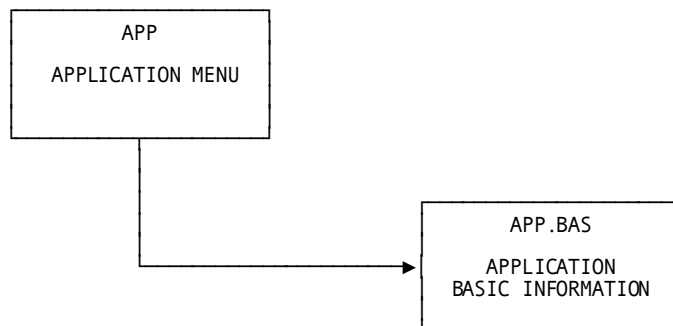


Exhibit 4.8: Application Screens

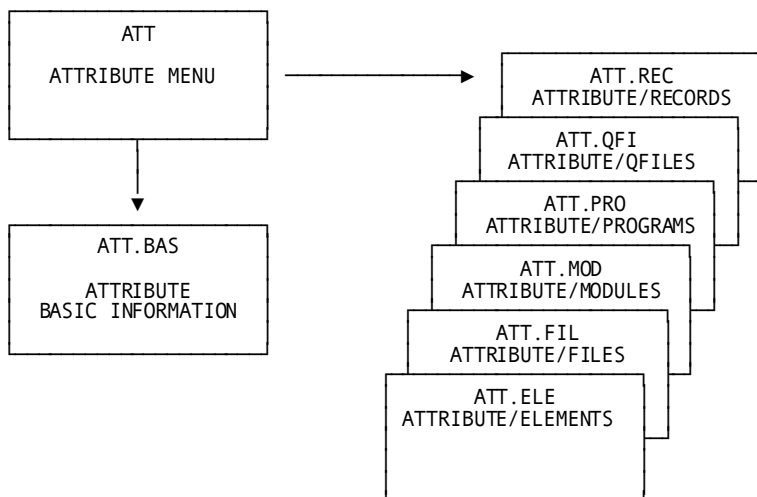


Exhibit 4.9: Attribute Screens

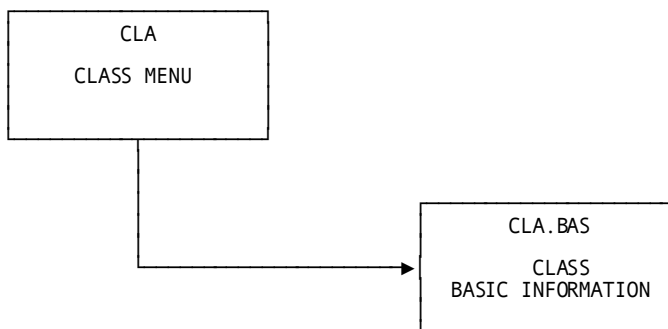


Exhibit 4.10: Class Screens

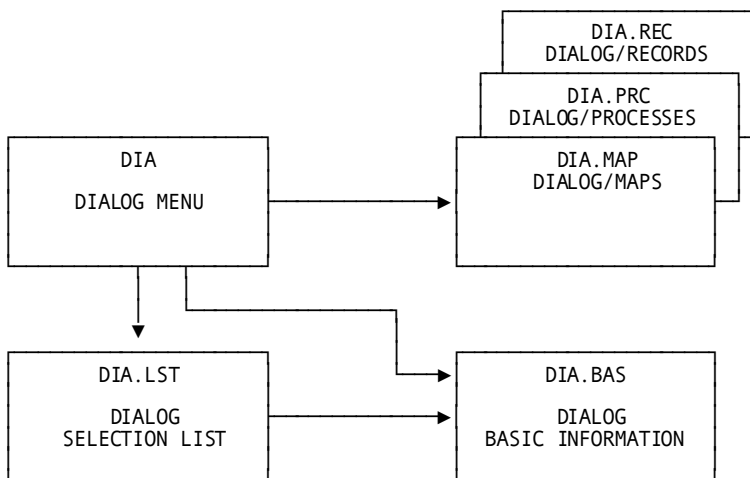


Exhibit 4.11: Dialog Screens

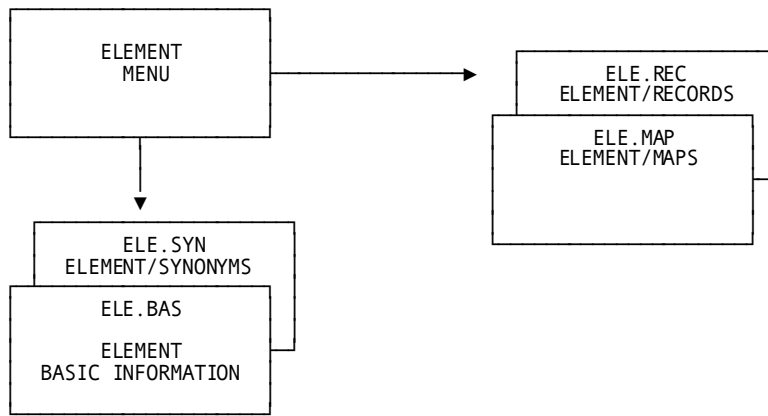


Exhibit 4.12: Element Screens

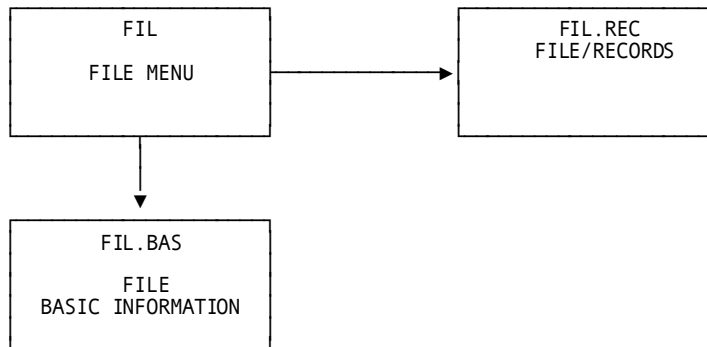


Exhibit 4.13: File Screens

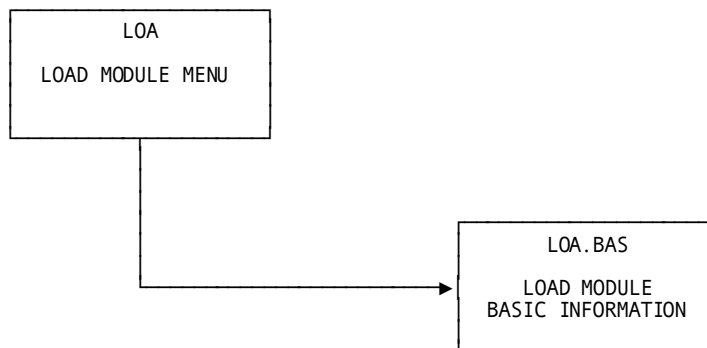


Exhibit 4.14: Load Module Screens

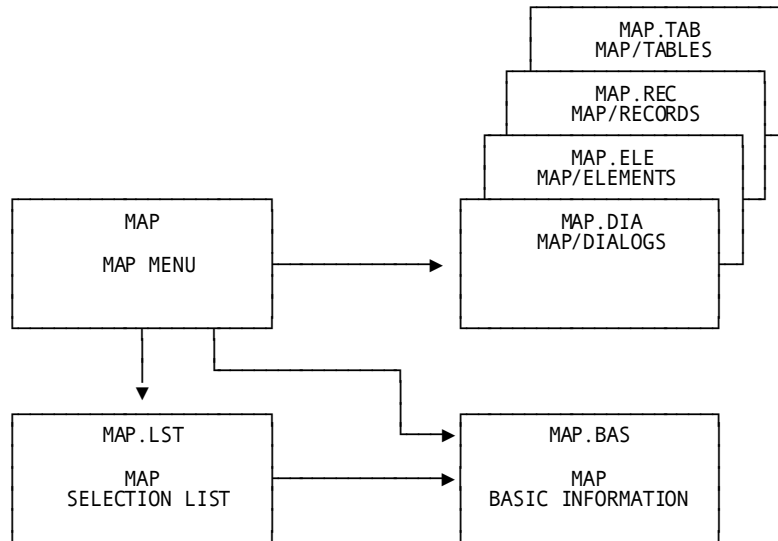


Exhibit 4.15: Map Screens

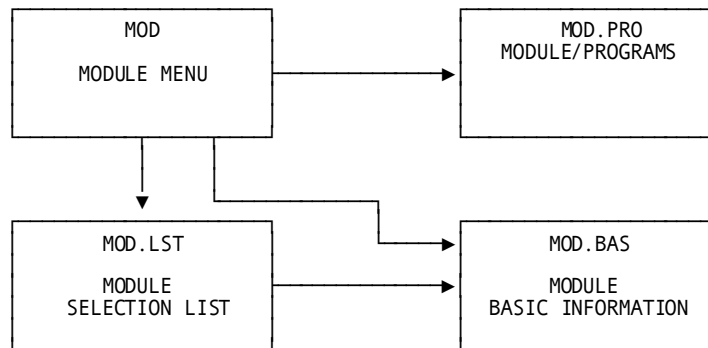


Exhibit 4.16: Module Screens

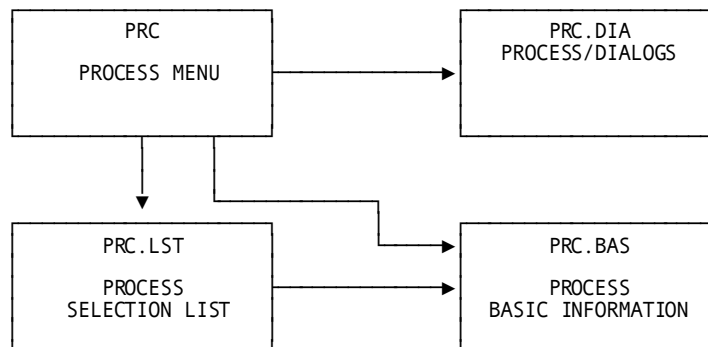


Exhibit 4.17: Process Screens

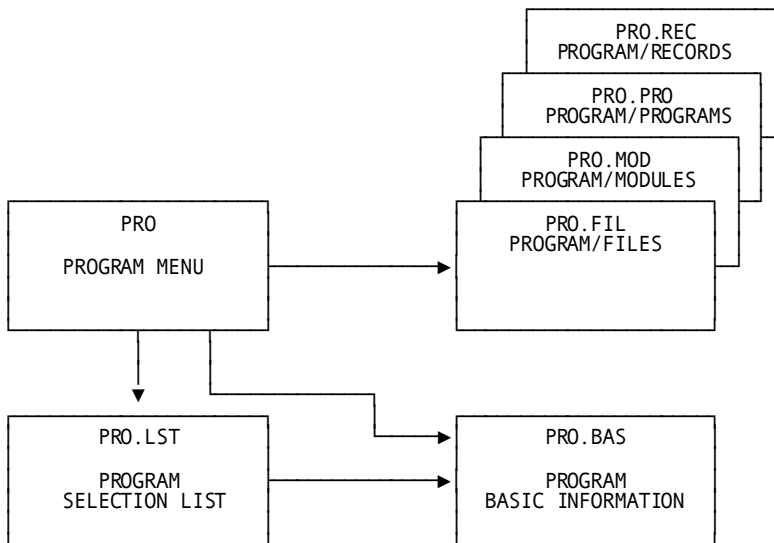


Exhibit 4.18: Program Screens

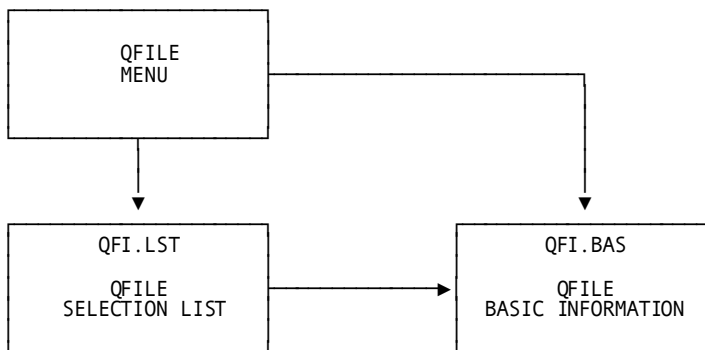


Exhibit 4.19: QFILE Screens

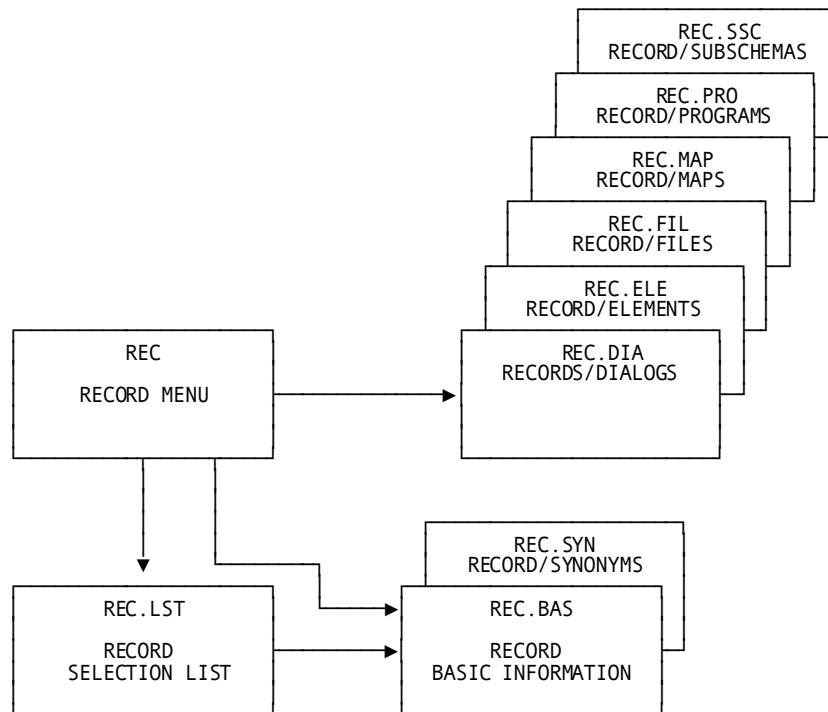


Exhibit 4.20: Record Screens

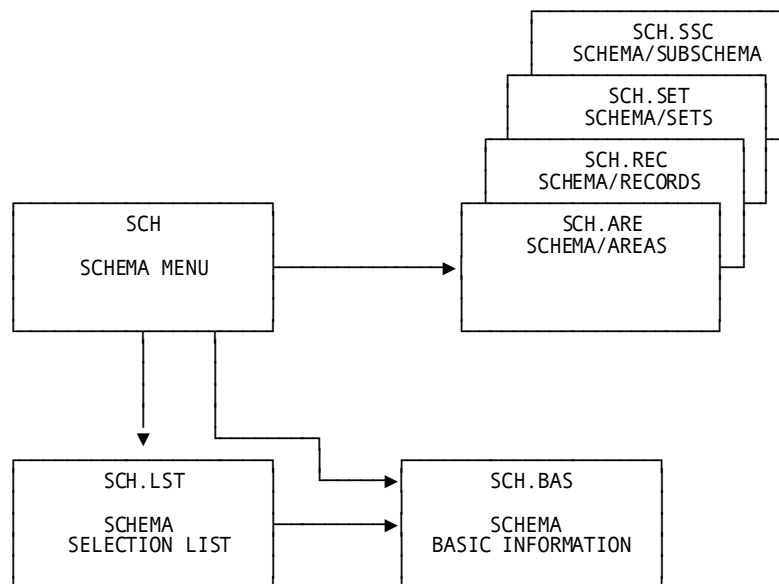


Exhibit 4.21: Schema Screens

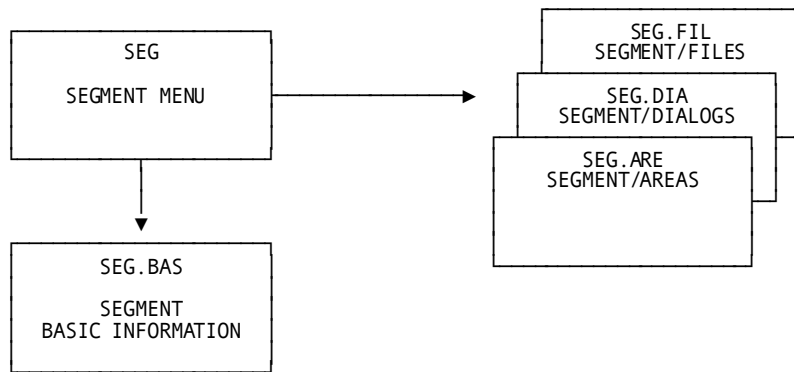


Exhibit 4.22: Segment Screens

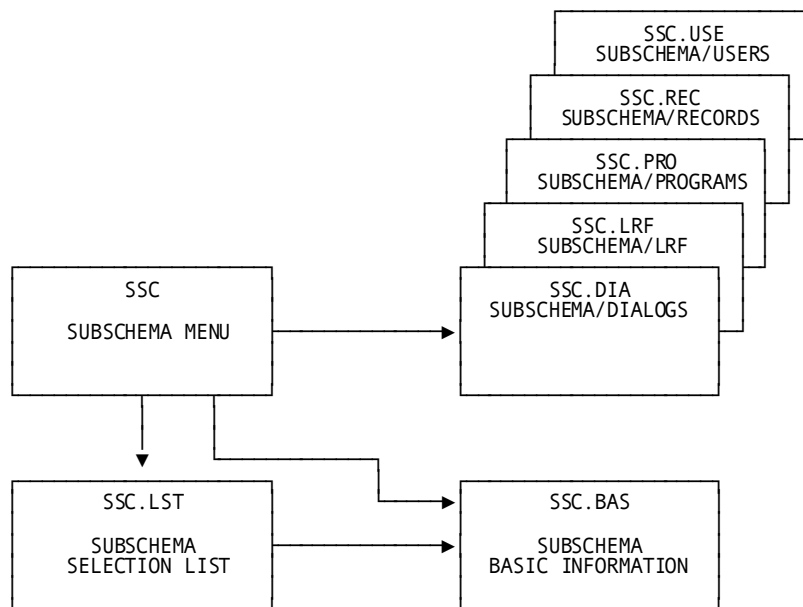


Exhibit 4.23: Subschema Screens

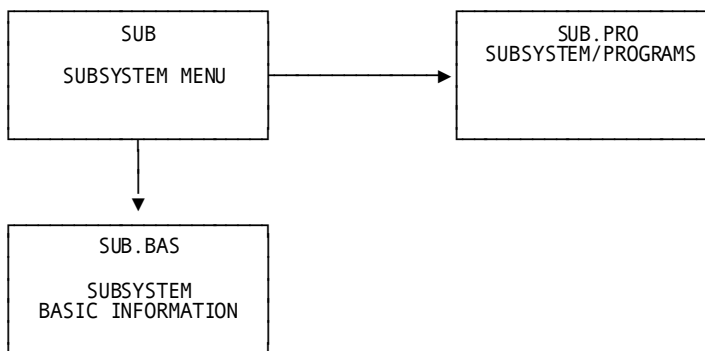


Exhibit 4.24: Subsystem Screens

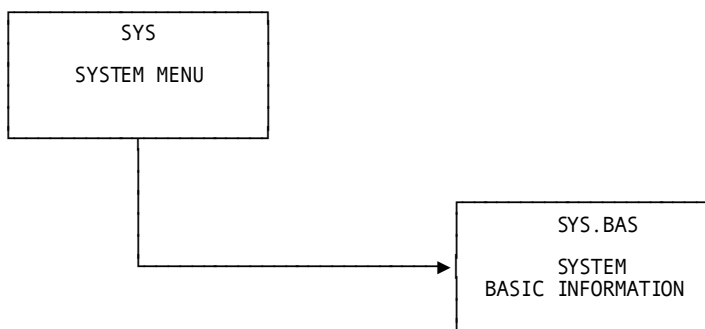


Exhibit 4.25: System Screens

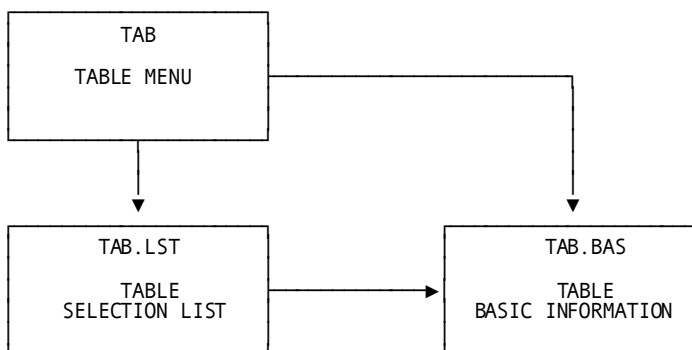


Exhibit 4.26: Table Screens

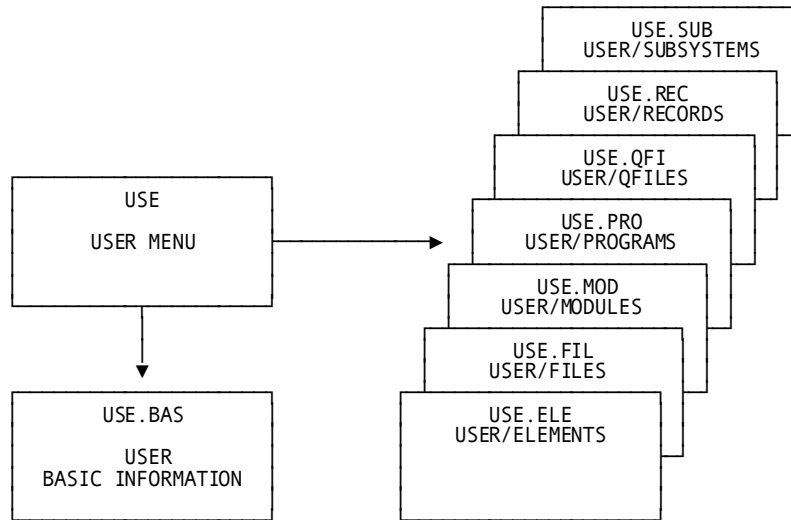


Exhibit 4.27: User Screens

Chapter 5: Operations

This section discusses the operation of CA IDMS DQF and covers system requirements, storage requirements, and the use of alternate dictionaries.

This section contains the following topics:

[System Requirements](#) (see page 59)

[Storage Requirements](#) (see page 59)

[Alternate Dictionary\(ies\)](#) (see page 60)

System Requirements

System requirements for CA IDMS DQF include the operating environment, the terminal type, and the subschema.

Terminal Type

CA IDMS DQF can be used from an IBM 3270-type terminal (models 2 through 5), including a 3279 color display.

Subschema

CA IDMS DQF uses the IDMSNWKA and IDMSNWKG subschemas.

Security

Normal CA IDMS/DC security applies. You can limit access to CA IDMS DQF by setting security on your CA IDMS DQF task code.

Storage Requirements

CA IDMS DQF uses the program pool, the storage pool, and the scratch/queue area.

Program Pool

Because all CA IDMS DQF run-time modules are reentrant, only one copy of CA IDMS DQF is required to support multiple users. CA IDMS DQF is required to support multiple users. CA IDMS DQF requires 6K to 200K of program storage for an average session.

Session Storage Pool

A session storage block is used for communication between CA IDMS DQF modules. Each terminal user requires 10K to 200K for storage during an average session; the session storage is released at the end of the session.

Scratch/Queue Area

Detail displays create a scratch paging file. This file varies from one to several thousand pages depending on the size of the detail block. This scratch area is released at the end of the session, if you leave CA IDMS DQF using the BYE command. If you leave the facility by pressing the PF3 or PF15 key from the Main Menu, the scratch area is retained until you leave CA IDMS/DC .

Alternate Dictionary(ies)

CA IDMS DQF is an CA ADS application, and the installation process adds the CA IDMS DQF application to the CA IDMS Task Application Table (TAT) in the TOOLDICT dictionary. You must update each additional dictionary under which you intend to execute CA IDMS DQF.

See the CA IDMS installation guides for instructions on updating the additional dictionary(ies).

Chapter 6: Messages

This section contains the following topics:

[CA IDMS DQF Messages](#) (see page 61)

[Message Texts](#) (see page 61)

CA IDMS DQF Messages

CA IDMS DQF messages are preceded by an alphanumeric code that ends with a letter indicating the severity. The severity code is I, W, or E. This section lists for each message the code, the text, and an explanation.

Severity Codes

Informative--A message with a severity code of **I** is an informative message. Informative messages are for your information only. No remedial action is required.

Warning--A message with a severity code of **W** is a warning message. A warning message tells you why your command cannot be carried out. Suggested remedial actions are listed for these messages.

Error--A message with a severity code of **E** is an error message. When CA IDMS DQF encounters an error condition (usually syntactical), an error message will appear on your screen. Error messages report erroneous and conflicting data that requires action.

This chapter lists the code for each message along with an explanation for each one.

Message Texts

DQFD001W ENTER NAME AND VERSION TO RECEIVE REQUESTED REPORT

Reason:

An entity name and version number have not been entered for the requested detail or cross reference screen.

Action:

Enter an entity name in the NAME field and the version number in the VERSION field, and press the ENTER key.

DQFD002W NAME AND/OR VERSION NOT FOUND

Reason:

Either the entity name was not found or the specified version of the entity was not found.

Action:

Check the spelling of the name and the version number. Be sure that the name and version you entered are of the same type as the information screen. For example OPTION==> REC.ELE, the name should be a record name, **not** an element name.

DQFD003W MAXIMUM NUMBER OF OUTPUT LINES EXCEEDED. REPORT IS TRUNCATED.

Reason:

While retrieving data from the dictionary, CA IDMS DQF reached the maximum number of lines that can be viewed online.

Action:

You can browse the displayed information. Remember that the dictionary contains more information than is displayed. Use a batch facility to obtain large reports.

DQFD004W REQUESTED CROSS REFERENCE NOT IN DICTIONARY

Reason:

CA IDMS DQF did not find any cross-reference information for the entity name and version that were entered. Either no data exists in the dictionary, or the cross references exist for the primary name only. The name and version that were entered may be a copy created from another version.

Action:

Check the name and version number. Use a combination code (for example, REC.BAS) to transfer to the basic information screen to find the primary name.

DQFD015E GET SCRATCH ERROR. IDMS STATUS=error-code

Reason:

CA IDMS DQF was trying to read a scratch record and encountered an unexpected condition.

Action:

Check scratch area utilization. If the problem recurs, contact Computer Associates Technical Support.

Glossary

ACTIVITY

The verb that a program uses to access a record-either COPIED or the specific DML verb.

APPLICATION

A group of one or more dialogs or programs.

APPLICATIONS RELATED TO THIS APPLICATION

See "entities RELATED TO THIS entity".

APPLICATIONS WHICH THIS IS A RELATED APPLICATION

See "entities WHICH THIS IS A RELATED entity".

AREA

A portion of a database.

ATTRIBUTE

A characteristic of an entity. Attributes are defined within dictionary classes.

ATTRIBUTES ARE

Singular or plural; manual or automatic.

ATTRIBUTES RELATED TO THIS ATTRIBUTE

See "entities RELATED TO THIS entity".

ATTRIBUTES WHICH THIS IS A RELATED ATTRIBUTE

See "entities WHICH THIS IS A RELATED entity".

AUTHORIZATION

Y--Programs referencing this subschema must be registered.

N--Any program that references the subschema can be compiled (no authorization).

BASIC INFO

Descriptive information about an entity.

BUILDER

The system utility that created a record.

CLASS

A group of attributes.

CLASS TYPE

Either CLASS or ENTITY (user-defined entity).

COMMENTS

User-supplied explanatory text.

CREATED

Date of creation and/or user that created the entity.

DATE COMPILED

Last date structural modifications were made.

DATE FORMAT

Format in which the current date is available in an application run-time.

DEFINITION

User-supplied explanatory text.

DELETION LOCK

ON--The deletion lock must be turned off before deleting the class or attribute.
OFF--The class or attribute can be deleted directly.

DESCRIPTION

User-supplied explanatory text.

DIALOG

In CA ADS, an executable module made up of subschema, map, and process modules.

DIALOGS RELATED TO THIS DIALOG

See "entities RELATED TO THIS entity".

DIALOGS WHICH THIS IS A RELATED DIALOG

See "entities WHICH THIS ISA RELATED entity".

DMCL

Name of the DMCL under which the subschema was compiled.

ELEMENT

Group or elementary data item.

ELEMENTS RELATED TO THIS ELEMENT

See "entities RELATED TO THIS entity".

ELEMENTS WHICH THIS IS A RELATED ELEMENT

See "entities WHICH THIS ISA RELATED entity".

entities RELATED TO THIS entity

Identifies the user-defined relationship that exists between one or more entity occurrences and the entity occurrence appearing in the NAME field. Also lists the name and version number of the related entities.

entities WHICH THIS IS A RELATED entity

Identifies the user-defined relationship that exists between the entity occurrence appearing in the NAME field and the entity occurrences to which it is related. Also lists the name and version number of the related entities.

ERROR FLAG

Y--Errors were detected at compiletime or a module was marked unusable.
N--No errors were detected at compiletime.

FILE

A collection of data described by records. It corresponds to the FILE statement in COBOL, the DECLARE FILE statement in PL/1, and the DCB macro in Assembler. Sort files, internal files, and print files are not documented in the dictionary.

FILES RELATED TO THIS FILE

See "entities RELATED TO THIS entity".

FILES WHICH THIS IS A RELATED FILE

See "entities WHICH THIS IS A RELATED entity".

FULL VIEW

On Record/Subschemas screen:

1--The subschema has been defined to access all record elements in the record.

0--The subschema has been defined to access only some of the record elements in the record.

FUNCTION

Named procedure within an application that represents a group of valid responses.

GLOBAL RECORD

Record that is available to all functions at run-time.

LANGUAGE

Program language.

LENGTH

Length in bytes.

LEVEL

COBOL level number of the record element.

LOAD MODULE NAME

Member name of a dialog, map, etc. in a load area.

LOGICAL RECORD

A record made up of multiple database records.

LRF ACCESS FLAG

Logical record access flag.

Y--Only logical records are available to programs that use this subschema.

N--Logical records and subschema records are available to programs that use this subschema.

MAP

The means of interfacing between the terminal operator and the dialog. A map defines a screen format and can associate fields on the screen with data elements in records used by a dialog. A map is defined by using DC/UCF mapping facility and is stored as a load module and source in the dictionary.

MAP RELEASE ID

Release number of the compiler under which the map was generated.

MODULE

A unit of source code. Modules can have one of several language attributes, such as COBOL, PL/1, Assembler, or DDR. Modules that have language OLQ are QFILES; modules that have language ADS are processes; modules that have language TABLE are edit or code tables.

Module BUILDER

Code indicating what compiler, processor, or generator created the module.

MODULES RELATED TO THIS MODULE

See "entities RELATED TO THIS entity".

MODULES WHICH THIS IS A RELATED MODULE

See "entities WHICH THIS IS A RELATED entity".

N/A

Not applicable.

NO. OF SOURCE LINES

Estimated number of source lines. ("Included" code is not counted.)

PICTURE

Size and data type of an element.

PREFIX

Prefix defined for record.

PREPARED BY

User that created the entity.

PRIMARY RECORD

Primary name of record. Other names are synonyms.

PROCESS

A set of CA ADS commands that define a dialog's premap or response processing.

PROGRAM

A unit of source code that can be compiled individually by a language compiler. The primary name of a program in the dictionary is the PROGRAM ID of the source program. Both mainline and called programs are programs in the dictionary. Calling/called hierarchies are maintained during acceptance compiles.

PROGRAMS RELATED TO THIS PROGRAM

See "entities RELATED TO THIS entity".

PROGRAMS WHICH THIS IS A RELATED PROGRAM

See "entities WHICH THIS ISA RELATED entity".

QFILE

A set of OLQ commands stored in the dictionary as a 1-file type module.

QFILES RELATED TO THIS QFILE

See "entities RELATED TO THIS entity".

QFILES WHICH THIS IS A RELATED QFILE

See "entities WHICH THIS ISA RELATED entity".

RECORD

A collection of one or more data elements. A record has a primary name and may have one or more synonyms.

RECORD NAME

Primary name of a record.

RECORD LENGTH

Length in bytes, calculated from record elements.

RECORDS RELATED TO THIS RECORD

See "entities RELATED TO THIS entity".

RECORDS WHICH THIS IS A RELATED RECORD

See "entities WHICH THIS ISA RELATED entity".

RELATIONSHIP

Either CALLS or CALLED BY.

REMARKS

User-supplied explanatory text.

REVISED

Date the entity was last changed and user that last changed the entity.

SCHEMA

Name and version of schema that contains the subschema.

SET

Defines the relationship between record types.

SPF FLAG

Y--Indicates the subschema is using SPF indices.
N--Indicates the subschema is not using SPF indices.

S/P/U

S--Indicates that the record element has a name (synonym) defined in the record that is different from the name of primary elements.
P--Indicates that the record element has a picture defined in the record that is different from the picture of the primary element.
U--Indicates that the record element has a usage defined in the record that is different from the usage of the primary element.

START

Element's starting position in the record.

SUBORDINATES

Subordinate element names (within group elements).

SUBSCHEMA

A subset of the schema denoted by an 8-character name. (Version is not applicable.)

SUBSYSTEM

See "SYSTEM".

SUBSYSTEMS RELATED TO THIS SUBSYSTEM

See "entities RELATED TO THIS entity".

SUBSYSTEMS WHICH THIS IS A RELATED SUBSYSTEM

See "entities WHICH THIS IS A RELATED entity".

SYNONYM

Alternate name of the element or record (or alias).

SYSTEM

Documentation of the collection, processing, storage, and generation of data. Systems are at the highest level in the dictionary system/data structure.

SYSTEMS RELATED TO THIS SYSTEM

See "entities RELATED TO THIS entity".

SYSTEMS WHICH THIS IS A RELATED SYSTEM

See "entities WHICH THIS IS A RELATED entity".

TABLE

A collection of values.

TABLES RELATED TO THIS TABLE

See "entities RELATED TO THIS entity".

TABLES WHICH THIS IS A RELATED TABLE

See "entities WHICH THIS IS A RELATED entity".

TASK AND FUNCTION

The task (named entity that allows for entry into an application) and its associated function (named responsegroup within an application).

TIMES

Number of times the activity occurs in the program.

TIME STAMP

The time that the entity was compiled, in the format hhmmsshh.

UPDATED

Date entity was last changed.

USAGE

Element usage; for example, DISPLAY or COMP.

USER

A valid IDD user name.

USER DEFINED COMMENT

Allows the user to separate comments into user-specified categories. Usually followed by lines of comments.

USER RESP FOR CREATION

User responsible for creation of this entity type.

USERS RELATED TO THIS USER

See "entities RELATED TO THIS entity".

USERS WHICH THIS IS A RELATED USER

See "entities WHICH THIS IS A RELATED entity".

VER

Version number.

WITHIN CLASS

Defines the class for an attribute.

WITHIN PANEL

Panel that contains map.

APPLICATION

A group of one or more dialogs or programs.

APPLICATIONS RELATED TO THIS APPLICATION

See "entities RELATED TO THIS entity".

APPLICATIONS WHICH THIS IS A RELATED APPLICATION

See "entities WHICH THIS ISA RELATED entity".

AREA

A portion of a database.

ATTRIBUTE

A characteristic of an entity. Attributes are defined within dictionary classes.

ATTRIBUTES ARE

Singular or plural; manual or automatic.

ATTRIBUTES RELATED TO THIS ATTRIBUTE

See "entities RELATED TO THIS entity".

ATTRIBUTES WHICH THIS IS A RELATED ATTRIBUTE

See "entities WHICH THIS ISA RELATED entity".

AUTHORIZATION

Y--Programs referencing this subschema must be registered.

N--Any program that references the subschema can be compiled (no authorization).

BASIC INFO

Descriptive information about an entity.

BUILDER

The system utility that created a record.

CLASS

A group of attributes.

CLASS TYPE

Either CLASS or ENTITY (user-defined entity).

COMMENTS

User-supplied explanatory text.

CREATED

Date of creation and/or user that created the entity.

DATE COMPILED

Last date structural modifications were made.

DATE FORMAT

Format in which the current date is available in an application run-time.

DEFINITION

User-supplied explanatory text.

DELETION LOCK

ON--The deletion lock must be turned off before deleting the class or attribute.
OFF--The class or attribute can be deleted directly.

DESCRIPTION

User-supplied explanatory text.

DIALOG

In CA ADS, an executable module made up of subschema, map, and process modules.

DIALOGS RELATED TO THIS DIALOG

See "entities RELATED TO THIS entity".

DIALOGS WHICH THIS IS A RELATED DIALOG

See "entities WHICH THIS IS A RELATED entity".

DMCL

Name of the DMCL under which the subschema was compiled.

ELEMENT

Group or elementary data item.

ELEMENTS RELATED TO THIS ELEMENT

See "entities RELATED TO THIS entity".

ELEMENTS WHICH THIS IS A RELATED ELEMENT

See "entities WHICH THIS IS A RELATED entity".

entities RELATED TO THIS entity

Identifies the user-defined relationship that exists between one or more entity occurrences and the entity occurrence appearing in the NAME field. Also lists the name and version number of the related entities.

entities WHICH THIS IS A RELATED entity

Identifies the user-defined relationship that exists between the entity occurrence appearing in the NAME field and the entity occurrences to which it is related. Also lists the name and version number of the related entities.

ERROR FLAG

Y--Errors were detected at compile time or a module was marked unusable.
N--No errors were detected at compile time.

FILE

A collection of data described by records. It corresponds to the FILE statement in COBOL, the DECLARE FILE statement in PL/1, and the DCB macro in Assembler. Sort files, internal files, and print files are not documented in the dictionary.

FILES RELATED TO THIS FILE

See "entities RELATED TO THIS entity".

FILES WHICH THIS IS A RELATED FILE

See "entities WHICH THIS IS A RELATED entity".

FULL VIEW

On Record/Subschemas screen:

1--The subschema has been defined to access all record elements in the record.
0--The subschema has been defined to access only some of the record elements in the record.

FUNCTION

Named procedure within an application that represents a group of valid responses.

GLOBAL RECORD

Record that is available to all functions at run-time.

LANGUAGE

Program language.

LENGTH

Length in bytes.

LEVEL

COBOL level number of the record element.

LOAD MODULE NAME

Member name of a dialog, map, etc. in a load area.

LOGICAL RECORD

A record made up of multiple database records.

LRF ACCESS FLAG

Logical record access flag.

Y--Only logical records are available to programs that use this subschema.

N--Logical records and subschema records are available to programs that use this subschema

MAP

The means of interfacing between the terminal operator and the dialog. A map defines a screen format and can associate fields on the screen with data elements in records used by a dialog. A map is defined by using DC/UCF mapping facility and is stored as a load module and source in the dictionary.

MAP RELEASE ID

Release number of the compiler under which the map was generated.

MODULE

A unit of source code. Modules can have one of several language attributes, such as COBOL, PL/1, Assembler, or DDR. Modules that have language OLQ are QFILES; modules that have language ADS are processes; modules that have language TABLE are edit or code tables.

Module BUILDER

Code indicating what compiler, processor, or generator created the module.

MODULES RELATED TO THIS MODULE

See "entities RELATED TO THIS entity".

MODULES WHICH THIS IS A RELATED MODULE

See "entities WHICH THIS IS A RELATED entity".

N/A

Not applicable.

NO. OF SOURCE LINES

Estimated number of source lines. ("Included" code is not counted.)

PICTURE

Size and data type of an element.

PREFIX

Prefix defined for record.

PREPARED BY

User that created the entity.

PRIMARY RECORD

Primary name of record. Other names are synonyms.

PROCESS

A set of CA ADS commands that define a dialog's premap or response processing.

PROGRAM

A unit of source code that can be compiled individually by a language compiler. The primary name of a program in the dictionary is the PROGRAM ID of the source program. Both mainline and called programs are programs in the dictionary. Calling/called hierarchies are maintained during acceptance compiles.

PROGRAMS RELATED TO THIS PROGRAM

See "entities RELATED TO THIS entity".

PROGRAMS WHICH THIS IS A RELATED PROGRAM

See "entities WHICH THIS IS A RELATED entity".

QFILE

A set of OLQ commands stored in the dictionary as a 1-file type module.

QFILES RELATED TO THIS QFILE

See "entities RELATED TO THIS entity".

QFILES WHICH THIS IS A RELATED QFILE

See "entities WHICH THIS IS A RELATED entity".

RECORD

A collection of one or more data elements. A record has a primary name and may have one or more synonyms.

RECORD LENGTH

Length in bytes, calculated from record elements.

RECORD NAME

Primary name of a record.

RECORDS RELATED TO THIS RECORD

See "entities RELATED TO THIS entity".

RECORDS WHICH THIS IS A RELATED RECORD

See "entities WHICH THIS IS A RELATED entity".

RELATIONSHIP

Either CALLS or CALLED BY.

REMARKS

User-supplied explanatory text.

REVISED

Date the entity was last changed and user that last changed the entity.

S/P/U

S--Indicates that the record element has a name (synonym) defined in the record that is different from the name of primary elements.

P--Indicates that the record element has a picture defined in the record that is different from the picture of the primary element.

U--Indicates that the record element has a usage defined in the record that is different from the usage of the primary element.

SCHEMA

Name and version of schema that contains the subschema.

SET

Defines the relationship between record types.

SPF FLAG

Y--Indicates the subschema is using SPF indices.

N--Indicates the subschema is not using SPF indices.

START

Element's starting position in the record.

SUBORDINATES

Subordinate element names (within group elements).

SUBSCHEMA

A subset of the schema denoted by an 8-character name. (Version is not applicable.)

SUBSYSTEM

See "SYSTEM".

SUBSYSTEMS RELATED TO THIS SUBSYSTEM

See "entities RELATED TO THIS entity".

SUBSYSTEMS WHICH THIS IS A RELATED SUBSYSTEM

See "entities WHICH THIS IS A RELATED entity".

SYNONYM

Alternate name of the element or record (or alias).

SYSTEM

Documentation of the collection, processing, storage, and generation of data. Systems are at the highest level in the dictionary system/data structure.

SYSTEMS RELATED TO THIS SYSTEM

See "entities RELATED TO THIS entity".

SYSTEMS WHICH THIS IS A RELATED SYSTEM

See "entities WHICH THIS IS A RELATED entity".

TABLE

A collection of values.

TABLES RELATED TO THIS TABLE

See "entities RELATED TO THIS entity".

TABLES WHICH THIS IS A RELATED TABLE

See "entities WHICH THIS IS A RELATED entity".

TASK AND FUNCTION

The task (named entity that allows for entry into an application) and its associated function (named responsegroup within an application).

TIME STAMP

The time that the entity was compiled, in the format hhmssshh.

TIMES

Number of times the activity occurs in the program.

UPDATED

Date entity was last changed.

USAGE

Element usage; for example, DISPLAY or COMP.

USER

A valid IDD user name.

USER DEFINED COMMENT

Allows the user to separate comments into user-specified categories. Usually followed by lines of comments.

USER RESP FOR CREATION

User responsible for creation of this entity type.

USERS RELATED TO THIS USER

See "entities RELATED TO THIS entity".

USERS WHICH THIS IS A RELATED USER

See "entities WHICH THIS IS A RELATED entity".

VER

Version number.

WITHIN CLASS

Defines the class for an attribute.

WITHIN PANEL

Panel that contains map.

Index

A

- accessing • 26, 27, 28, 31, 32
 - another dictionary or node • 27
 - basic information • 32
 - Dictionary Entity Main Menu screen • 26
 - general selection list • 31
 - information screen • 28
 - refined selection list • 31
 - second level menu • 27
- ACTIVITY • 65
- APPLICATION • 65
- application screens • 49
- APPLICATIONS RELATED TO THIS APPLICATION • 65
- APPLICATIONS WHICH THIS IS A RELATED
 - APPLICATION • 65
- AREA • 65
- ATTRIBUTE • 65
- attribute screens • 49
- ATTRIBUTES ARE • 65
- ATTRIBUTES RELATED TO THIS ATTRIBUTE • 65
- ATTRIBUTES WHICH THIS IS A RELATED ATTRIBUTE • 65
- AUTHORIZATION • 65

B

- BASIC INFO • 65
- BUILDER • 65
- BYE command • 22

C

- CLASS • 65
- class screens • 49
- CLASS TYPE • 65
- combination codes • 35, 36
 - description • 35
 - on Dictionary Entity Main Menu screen • 36
- commands • 22
- COMMENTS • 65
- common fields on screens • 47
 - basic information screens • 47
 - second level menu screens • 47
- conceptual view • 20
- CREATED • 65

D

- DATE COMPILED • 65
- DATE FORMAT • 65
- DEFINITION • 65
- DELETE key • 22
- DELETION LOCK • 65
- DESCRIPTION • 65
- DIALOG • 65
- dialogs screens • 49
- DIALOGS RELATED TO THIS DIALOG • 65
- DIALOGS WHICH THIS IS A RELATED DIALOG • 65
- dictionaries • 11, 19, 23, 60
 - accessing contents • 11, 19
 - alternate • 60
 - finding information • 23
- Dictionary Entity Main Menu screen • 26, 43
- Dictionary Query Facility entry screen • 25, 42
- DMCL • 65
- DOWN command • 22
- DOWN PF key • 23

E

- ELEMENT • 65
- element screens • 49
- ELEMENTS RELATED TO THIS ELEMENT • 65
- ELEMENTS WHICH THIS IS A RELATED ELEMENT • 65
- END PF key • 23
- ending an CA IDMS DQF Session • 40
- entities • 11, 22
 - relationship • 11
 - saving names and versions • 22
- entities RELATED TO THIS entity • 65
- entities WHICH THIS IS A RELATED entity • 65
- entity basic information screen • 47
- entity synonym screen • 49
- environment • 18
- ERASE EOF key • 22
- ERROR FLAG • 65
- exiting CA IDMS DQF • 40

F

- features • 13
- FILE • 65

filescreens • 49
FILES RELATED TO THIS FILE • 65
FILES WHICH THIS IS A RELATED FILE • 65
first level screen • 20
FULL VIEW • 65
functions • 21

G

GLOBAL RECORD • 65

I

information screens, accessing • 19

J

jumping to information screens • 34

L

LANGUAGE • 65
leaving CA IDMS DQF • 40
LENGTH • 65
LEVEL • 65
levels, screen • 20
LOAD MODULE NAME • 65
load module screens • 49
LOGICAL RECORD • 65
LRF ACCESS FLAG • 65

M

MAP • 65
MAP RELEASE ID • 65
map screens • 49
menus • 14, 26
 second level menus • 14
 using • 26
messages • 61
MODULE • 65
Module BUILDER • 65
module screens • 49
MODULES RELATED TO THIS MODULE • 65
MODULES WHICH THIS IS A RELATED MODULE • 65

N

NO. OF SOURCE LINES • 65

O

operating environment • 18
option codes • 28

OPTION field • 22, 33
 defaults • 33
 using • 22

P

PF keys • 20, 23
PICTURE • 65
PREFIX • 65
PREPARED BY • 65
PRIMARY RECORD • 65
PROCESS • 65
process screens • 49
PROGRAM • 65
Program Function keys • 23
program screens • 49
program storage • 60
PROGRAMS RELATED TO THIS PROGRAM • 65
PROGRAMS WHICH THIS IS A RELATED PROGRAM • 65
publications, related • 10

Q

QFILE • 65
QFILE screens • 49
QFILES RELATED TO THIS QFILE • 65
QFILES WHICH THIS IS A RELATED QFILE • 65
query • 12, 17
 examples • 12
 typical sequence • 17

R

RECORD • 65
RECORD LENGTH • 65
RECORD NAME • 65
record screens • 49
RECORDS RELATED TO THIS RECORD • 65
RECORDS WHICH THIS IS A RELATED RECORD • 65
RELATIONSHIP • 65
REMARKS • 65
RETURN command • 22
RETURN PF key • 23
returning to • 33, 37
 Dictionary Entity Main Menu screen • 33
 screen from which you transferred • 37
 second level menu • 33
REVISED • 65

S

- S/P/U • 65
- saving entity names and version numbers • 22
- SCHEMA • 65
- schema screens • 49
- scratch/queue storage • 60
- screen levels • 20
- screens • 15, 17, 25, 26, 41, 42, 43, 46, 49
 - accessing • 17, 49
 - application • 49
 - attribute • 49
 - class • 49
 - common fields • 46
 - dialog • 49
 - Dictionary Entity Main Menu screen • 26, 43
 - Dictionary Query Facility entry • 25, 42
 - element • 49
 - file • 49
 - load module • 49
 - map • 49
 - module • 49
 - overview • 41
 - process • 49
 - program • 49
 - QFILE • 49
 - record • 49
 - schema • 49
 - selection list • 15
 - subschema • 49
 - subsystem • 49
 - system • 49
 - table • 49
 - user • 49
- second level menu screen • 20, 47
- security • 59
- selection list screen • 15, 48
- sequence of events using • 34, 36
 - combination codes • 36
 - menus • 34
- session storage • 60
- session suspension • 15
- session, beginning • 25
- SET • 65
- severity codes • 61
- SPF FLAG • 65
- START • 65
- storage • 60
 - program • 60

- scratch/queue • 60
 - session • 60
- storage requirements • 59
- SUBORDINATES • 65
- subschema • 59, 65
- subschema screens • 49
- SUBSYSTEM • 65
- subsystem screens • 49
- SUBSYSTEMS RELATED TO THIS SUBSYSTEM • 65
- SUBSYSTEMS WHICH THIS IS A RELATED SUBSYSTEM • 65
- suspending a session • 15
- SYNONYM • 65
- SYSTEM • 65
- system requirements • 59
- system screens • 49
- SYSTEMS RELATED TO THIS SYSTEM • 65

T

- TABLE • 65
- table screens • 49
- TABLES RELATED TO THIS TABLE • 65
- TABLES WHICH THIS IS A RELATED TABLE • 65
- TASK AND FUNCTION • 65
- terminal type • 59
- third level screen • 21
- TIME STAMP • 65
- TIMES • 65
- transferring to information screens • 34

U

- UP command • 22
- UP PF key • 23
- UPDATED • 65
- USAGE • 65
- USER • 65
- USER DEFINED COMMENT • 65
- user queries • 12
- USER RESP FOR CREATION • 65
- user screens • 49
- USERS RELATED TO THIS USER • 65
- USERS WHICH THIS IS A RELATED USER • 65
- using • 17, 26
 - CA IDMS DQF • 17
 - menus • 26

V

- VER • 65

W

WITHIN CLASS • 65

WITHIN PANEL • 65